

DORMA XL - C[®]

New Contract Range

VERSION 6.0 WITH GST - MRP LIST WEF 01.JULY.2019



AFFORDABLE

ACCESSIBLE

RELIABLE

SAFE

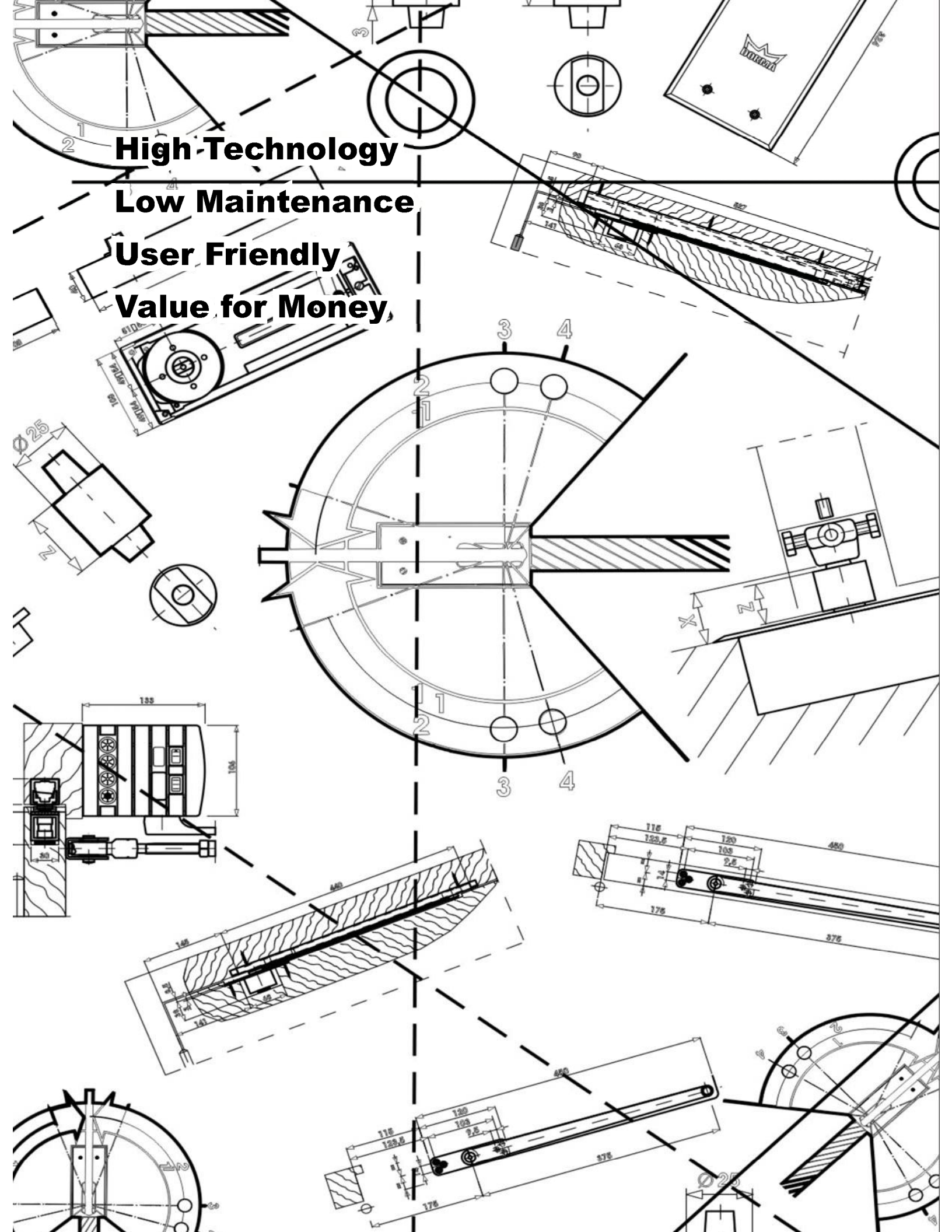
FUNCTIONAL

High Technology

Low Maintenance

User Friendly

Value for Money



Door Hardware

| | |
|--------------------------------|----|
| Door Closer - Surface Mounted | 4 |
| Door Closer with Slide Channel | 5 |
| Floor Spring | 7 |
| Floor Spring Accessories | 8 |
| Lever Handle | 9 |
| Lock | 13 |
| Euro Profile Cylinder (EPC) | 15 |
| Knob Lock | 16 |
| Pull Handle | 17 |
| Hinge | 19 |
| Door Accessories | 21 |

Glass

| | |
|---|----|
| Glass Door Package | 23 |
| Glass Door Accessories | 25 |
| Internal Glass Door Package | 28 |
| Internal Glass Door Hinges & Locks | 30 |
| Shower Fittings | 31 |
| Shower Seals | 38 |
| Shower Accessories | 39 |
| Sliding Gear (Wooden Door Application) | 40 |
| Sliding Gear (Glass Door Application - without fixed panel) | 41 |
| Sliding Gear (Glass Door Application - with fixed panel) | 42 |
| Sliding Door (Track & Accessories) | 43 |
| Wall Connecting Profile | 44 |
| Sliding Shower System | 45 |
| Folding & Sliding (Wooden Door Application) | 49 |
| Glass Accessories | 54 |
| Horizontal Sliding Wall (HSW) | 55 |
| Folding Sliding Wall (FSW) | 57 |

Automatic Doors

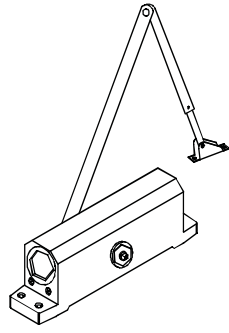
| | |
|---------------------------------|----|
| Automatic Sliding Door Operator | 61 |
| Automatic Swing Door Assistant | 63 |
| Automatic Door Accessories | 64 |

Spiders

| | |
|---|----|
| Non Fin Type Spider | 68 |
| Fin Type Spider | 69 |
| Splice Plate, Fixed Bolt, Articulated Bolt, Facade Bracket, Fin Bracket | 70 |
| Canopy Fittings | 72 |

Cut-out Details

| | |
|----------------------------------|----------|
| Cut-out Details for all Products | 73 - 104 |
|----------------------------------|----------|

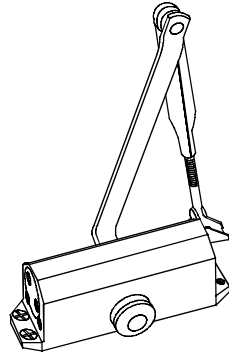
Door Closer (Surface Mounted)**Door Closer surface mounted, EN2**

Finish : Silver
 Width of door : 900 mm
 Weight of door : 45 kgs
 Adjustable closing & latching speed

MRP : Rs.1495/-

Ordering Code : XL - C 1000

Reference Code : 9127366

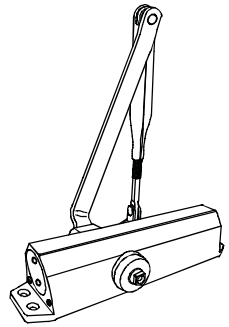
**Door Closer surface mounted, EN 3**

Finish : Silver
 Width of door : 950 mm
 Weight of door : 60 kgs
 Adjustable closing & latching speed

MRP : Rs.2035/-

Ordering Code : XL - C 1001

Reference Code : 9127346

**Door Closer surface mounted, EN 3/4**

Finish : Silver
 Width of door : 1100 mm
 Weight of door : 80 kgs
 Adjustable closing & latching speed

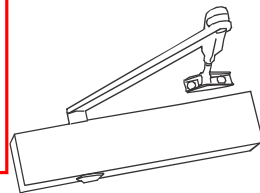
MRP :Rs.2820/-

Ordering Code : XL - C 1002

Reference Code : 9127347

Note : For Hold open arm, Parallel arm bracket & Saddle plate, please refer Page No.21, 22

**9127332 / Dorma XL-C
 1103 Door Closer
 surface with Slide
 Channel and Hold
 Open / MRP : Rs:7220/-**

**Door Closer surface mounted, EN 2/3/4**

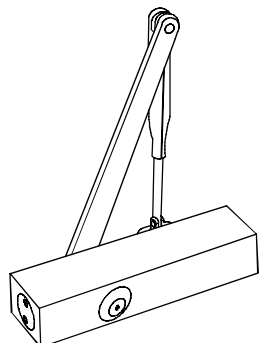
Finish : Silver
 Width of door : 1100 mm
 Weight of door : 80 kgs
 Adjustable closing & latching speed

MRP : Rs.6210/-

Ordering Code : XL - C 1003

Reference Code : 9127308

Note : For slide channel arm please refer Page No.22

**Door Closer
 (Surface Mounted)****Door Closer surface mounted, EN 3-6**

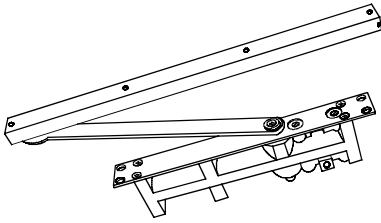
Finish : Silver
 Width of door : 1400 mm
 Weight of door : 120 kgs
 Adjustable spring strength closing &
 latching speed

MRP : Rs.7640/-

Ordering Code : XL - C 1004

Reference Code : 9127309

Note : For saddle plate, slide channel arm please refer Page No.22

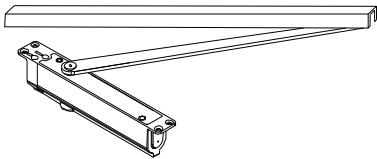
Door Closer (Concealed)**Door Closer concealed, EN 2**

Finish : Silver
 Width of door : 850 mm
 Weight of door : 40 kgs
 Min. door thickness : 40 mm
 Adjustable closing & latching speed
 Along with hold open unit

MRP : Rs.6050/-

Ordering Code : XL - C 1005

Reference Code : 9127310

**Door Closer concealed, EN 4**

Finish : Silver
 Width of door : 1100 mm
 Weight of door : 80 kgs
 Min. door thickness : 45 mm
 Adjustable closing & latching speed

MRP : Rs.10015/-

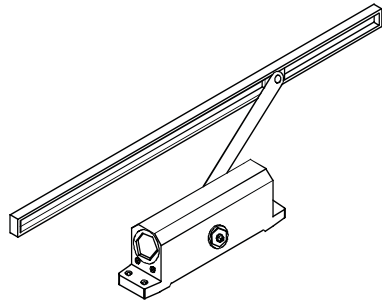
Ordering Code : XL - C 1006

Reference Code : 9127311

Note : For Hold open unit, please refer Page No.22

**Door Closer
 with
 Slide Channel
 Arm
 (Concealed)**

Door Closer (Surface Mounted)



Door Closer with slide channel, EN2

Finish : Silver

Width of door : 900 mm

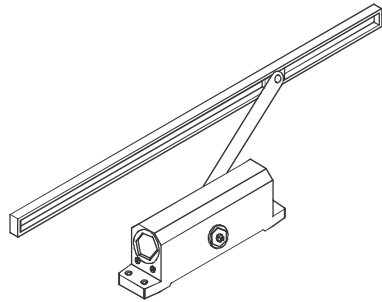
Weight of door: 45 kgs

Adjustable closing & latching speed

MRP : Rs.2195/-

Ordering Code : XL - C 1100

Reference Code : 9142031



Door Closer with slide channel, EN2

Finish : Silver

Width of door : 900 mm

Weight of door: 45 kgs

Adjustable closing & latching speed

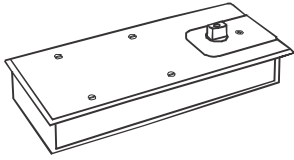
Along with hold open unit

MRP : Rs.2555/-

Ordering Code : XL - C 1101

Reference Code : 9142032

**Door Closer
with
Slide Channel
Arm
(Surface Mounted)**



Floor spring with 90° hold open (EN 4)

Finish : SSS

Width of door : 1100 mm

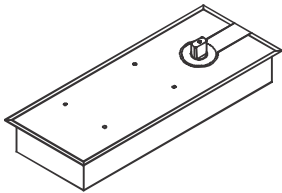
Weight of door : 100 kgs

Adjustable sweep speed & closing speed

MRP : Rs.8415/-

Ordering Code : XL - C 1007

Reference Code : 9127348



Floor spring with 90° hold open without accessories (EN 3)

Finish : SSS

Width of door : 950 mm

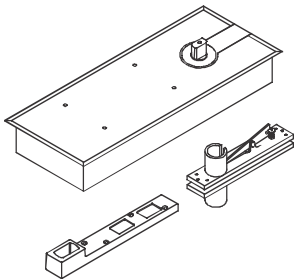
Weight of door : 80 kgs

Adjustable sweep speed & closing speed

MRP : Rs.7125/-

Ordering Code : XL - C 6100

Reference Code : 9110636



Floor spring with 90° hold open with wooden door accessories (EN 3)

Finish : SSS

Width of door : 950 mm

Weight of door : 80 kgs

Adjustable sweep speed & closing speed

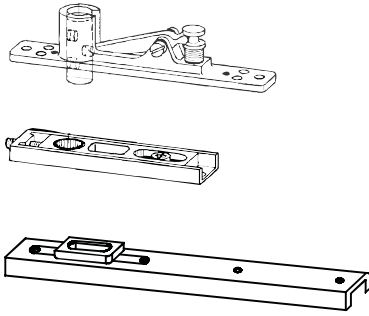
MRP :Rs.8060/-

Ordering Code : XL - C 6101

Reference Code : 9110637

Floor Spring Accessories

Wooden Door Accessories - Top Centre and Bottom Strap

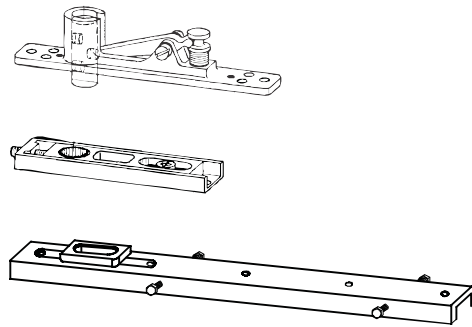


MRP :Rs.2015/-

Ordering Code : XL - C 1012A

Reference Code : 9127388

Aluminium Door Accessories - Top Centre and Bottom Strap



MRP :Rs.2110/-

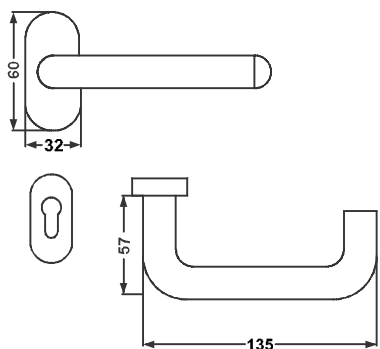
Ordering Code : XL - C 1013A

Reference Code : 9127389

Lever Handle

DORMA's Stainless Steel Grade 304 Tubular Lever Handle comes in 4 different designs with complete fixing accessories, including escutcheons and roses and are designed for secure through-bolt fixings. The clip-on cover plates conceal the through-bolt fixings and spindle bushing, thereby ensuring a neat and elegant appearance of the installed lever handles.

Finish : Satin Stainless Steel. Tested according to EN 1906.

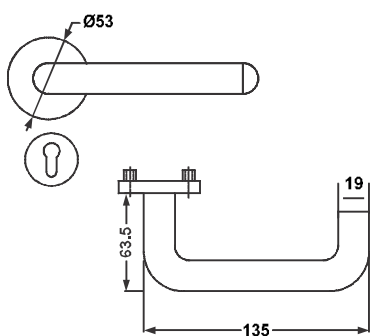


MRP:Rs.1390/-

Ordering Code : XL - C 2000 - D4*

Reference Code : 9111398

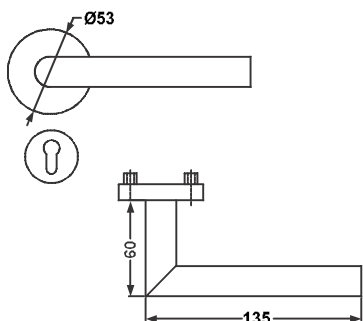
* Lever Handle Design for Narrow Stile Sash Lock (XL- C 2013)



MRP:Rs.1390/-

Ordering Code : XL - C 2001 - D1

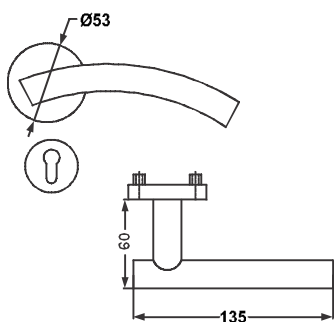
Reference Code : 9127314



MRP:Rs.1390/-

Ordering Code : XL - C 2002 - D2

Reference Code : 9127315



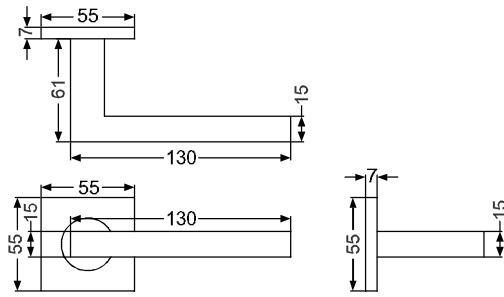
MRP :Rs.1390/-

Ordering Code : XL - C 2003 - D3

Reference Code : 9127316

Lever Handle

Lever Handle

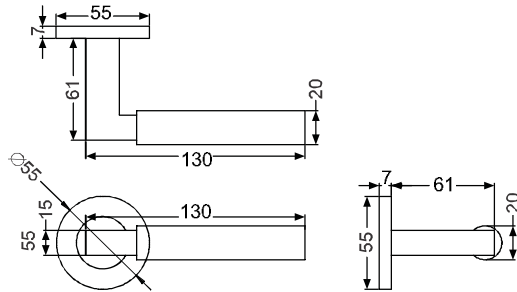


MRP:Rs.1840/-

Ordering Code : XL - C 2101

Reference Code : 9121246

LH4 Roses SSS Hollow

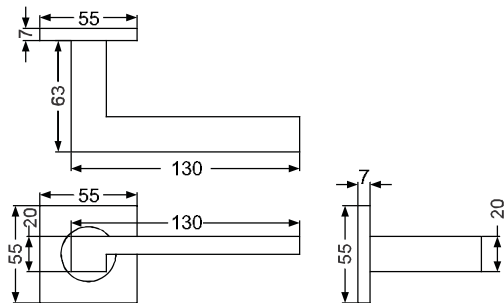


MRP:Rs.2960/-

Ordering Code : XL - C 2102

Reference Code : 9121247

LH5 Roses SSS Solid

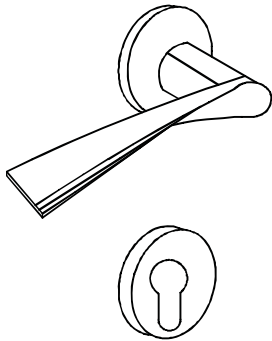


MRP:Rs.2960/-

Ordering Code : XL - C 2103

Reference Code : 9121248

LH6 Roses SSS Solid

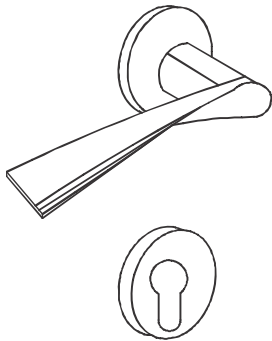


MRP:Rs.2045/-

Ordering Code : XL - C 2026

Reference Code : 9115918

Finish : SSS

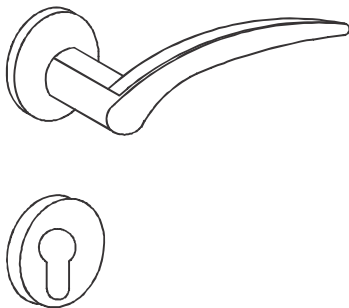


MRP:Rs.2145/-

Ordering Code : XL - C 2028

Reference Code : 9115920

Finish : AB

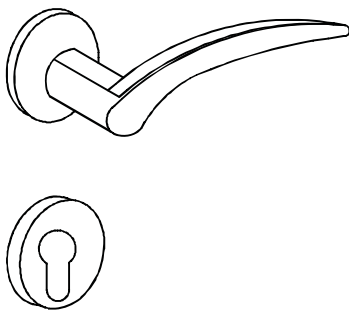


MRP :Rs.2045/-

Ordering Code : XL - C 2029

Reference Code : 9115921

Finish : SSS



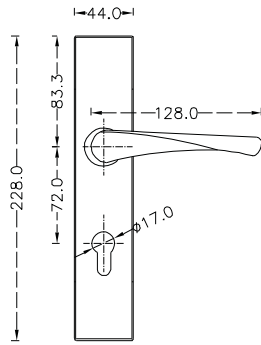
MRP:Rs.2145/-

Ordering Code : XL - C 2031

Reference Code : 9115923

Finish : AB

Lever Handle



MRP:Rs.2205/-

Ordering Code : XL - C 2035

Reference Code : 9115927

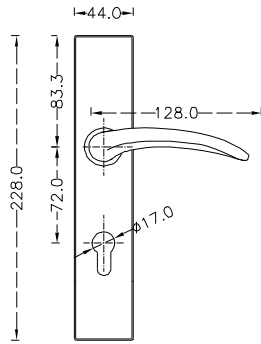
Finish : SSS

MRP:Rs.2315/-

Ordering Code : XL - C 2037

Reference Code : 9115929

Finish : AB



MRP:Rs.2205/-

Ordering Code : XL - C 2038

Reference Code : 9115930

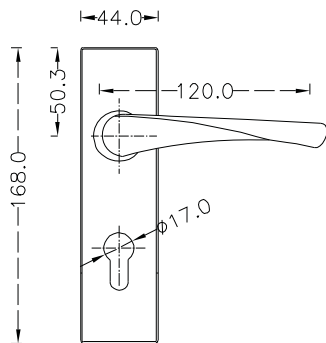
Finish : SSS

MRP:Rs.2315/-

Ordering Code : XL - C 2040

Reference Code : 9115932

Finish : AB



MRP:Rs.2045/-

Ordering Code : XL - C 2044

Reference Code : 9115936

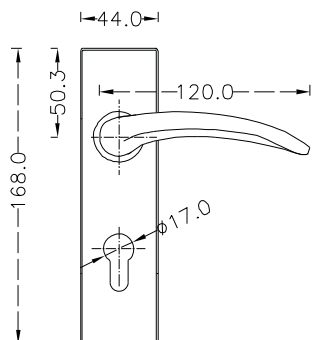
Finish : SSS

MRP:Rs.2145/-

Ordering Code : XL - C 2046

Reference Code : 9115938

Finish : AB



MRP:Rs.2045/-

Ordering Code : XL - C 2047

Reference Code : 9115939

Finish : SSS

MRP:Rs.2145/-

Ordering Code : XL - C 2049

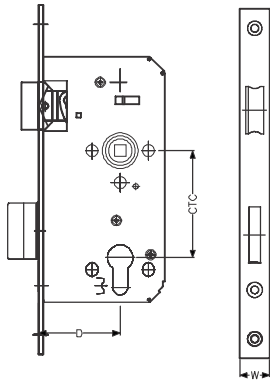
Reference Code : 9115941

Finish : AB

Lever Handle

Lock

Sash Lock



Forend width (W) - 20 mm
 Backset (D) - 55 mm
 Centre to Centre (CTC) - 72 mm

Forend Finish : Satin Stainless Steel

Ordering Code : XL - C 3025

MRP:Rs.1245/-

Reference Code : 9121117

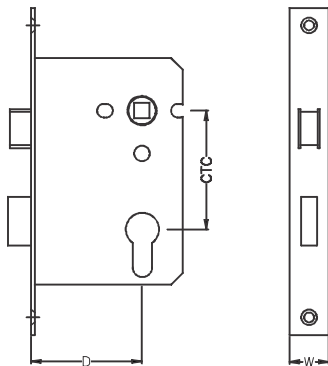
Forend Finish : Antique Brass

Ordering Code : XL - C 3027

MRP:Rs.1305/-

Reference Code : 9121119

Sash Lock



Forend width (W) - 20 mm
 Backset (D) - 57 mm
 Centre to Centre (CTC) - 61 mm

Forend Finish : Satin Stainless Steel

Ordering Code : XL - C 3028

MRP:Rs.1005/-

Reference Code : 9121120

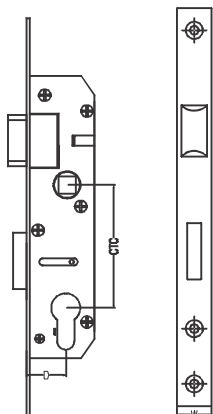
Forend Finish : Antique Brass

Ordering Code : XL - C 3030

MRP:Rs.1070/-

Reference Code : 9121122

Narrow Stile Sash Lock



Forend width (W) - 20 mm
 Backset (D) - 25 mm
 Centre to Centre (CTC) - 72 mm

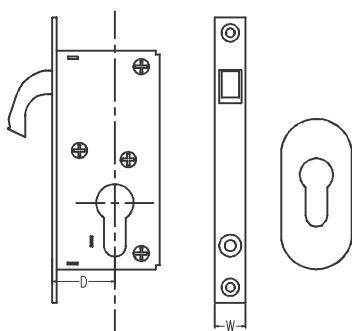
Forend Finish : Satin Stainless Steel

MRP:Rs.1545/-

Ordering Code : XL - C 2013 C-72

Reference Code : 9127367

Hook Lock for Sliding Door



Forend width (W) - 15 mm
 Backset (D) - 30 mm
 Oval escutcheon

Forend Finish : Satin Stainless Steel

MRP:Rs.1265/-

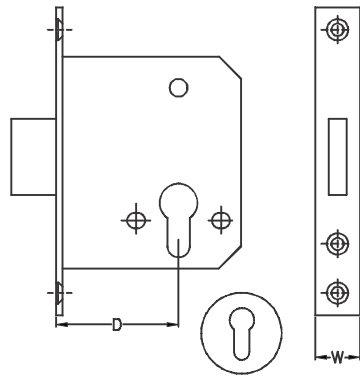
Ordering Code : XL - C 2014

Reference Code : 9127325

Lock

Lock

Dead Lock



Forend width (W) - 20 mm
Backset (D) - 55 mm
Round escutcheon

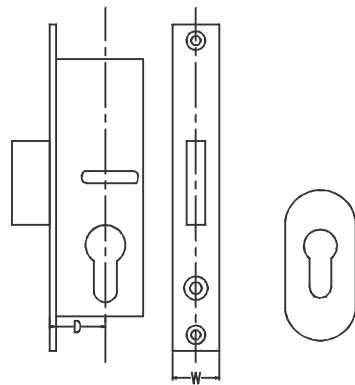
Forend Finish : Satin Stainless Steel

MRP:Rs.1020/-

Ordering Code : XL - C 2016

Reference Code : 9127356

Narrow Stile Dead Lock



Forend width (W) - 20 mm
Backset (D) - 25 mm
Oval escutcheon

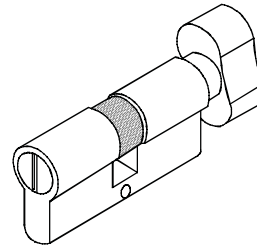
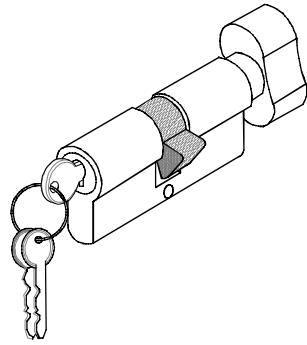
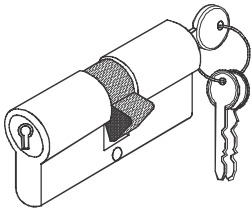
Forend Finish : Satin Stainless Steel

MRP:Rs.920/-

Ordering Code : XL - C 2017

Reference Code : 9127342

Night Latch Lock Coming Soon...



5 pin EPC both side key
No. of keys - 3

5 pin EPC one side knob
and other side key
No. of keys - 3

WC EPC one side knob
and other side emergency
release slot

Finish : Satin Nickel Plated

Finish : Satin Nickel Plated

Finish : Satin Nickel Plated

Length = 60 mm **MRP:Rs.550/-**

Length = 60 mm **MRP:Rs.565/-**

Length = 60 mm **MRP:Rs.550/-**

Ordering Code : XL - C 2010A
Reference Code : 9127319

Ordering Code : XL - C 2011A
Reference Code : 9127320

Ordering Code : XL - C 2012A
Reference Code : 9127321

Length = 70 mm **MRP:Rs.735/-**

Length = 70 mm **MRP:Rs.755/-**

Length = 70 mm **MRP:Rs.735/-**

Ordering Code : XL - C 2070A
Reference Code : 9113976

Ordering Code : XL - C 2071A
Reference Code : 9113977

Ordering Code : XL - C 2072A
Reference Code : 9113978

Finish : Antique Brass

Finish : Antique Brass

Length = 60 mm **MRP:Rs.730/-**

Length = 60 mm **MRP:Rs.940/-**

Ordering Code : XL - C 3502
Reference Code : 9121127

Ordering Code : XL - C 3505
Reference Code : 9121130

Length = 70 mm **MRP:Rs.810/-**

Length = 70 mm **MRP:Rs.1075/-**

Ordering Code : XL - C 3508
Reference Code : 9121133

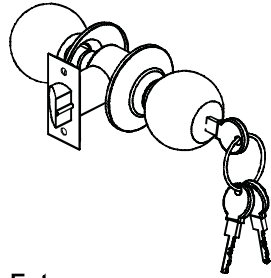
Ordering Code : XL - C 3511
Reference Code : 9121136

Dorma XL-C 3513 (Article Number :9127326) Five Pin Half Cylinder , L = 42 MM , MRP : Rs.820/-

9121126/ XL-C 3501 EPC1 60MM Both side key - Satin Nickel
Finish :MRP:Rs.715/-
9121129/ XL-C 3504 EPC2 60MM Thumb Turn - Satin Nickel Finish :MRP:Rs.915/-
9121127/ XL-C 3502 EPC1 60MM Both side key - AB Finish :MRP:Rs.730/-
9121130/ XL-C 3505 EPC2 60MM Thumb Turn - AB Finish :MRP:Rs.940/-
9121132/ XL-C 3507 EPC3 70MM Both side key - Satin Nickel
Finish :MRP:Rs.795/-
9121135/ XL-C 3510 EPC4 70MM Thumb Turn - Satin Nickel
Finish :MRP:Rs.1060/-
9121133/ XL-C 3508 EPC3 70MM Both side key - AB Finish :MRP:Rs.810/-
9121136/ XL-C 3511 EPC4 70MM Thumb Turn - AB Finish :MRP:Rs.1075/-

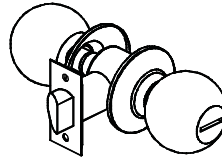
**Euro Profile
Cylinder (EPC)**

Knob Lock



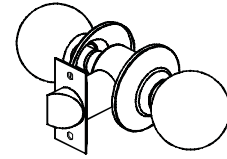
Entrance

Function :
Internal Push Button and external key operation.
No. of keys - 3
Non Master Keyed



Privacy

Function :
Internal Push Button and external emergency release slot.



Passage

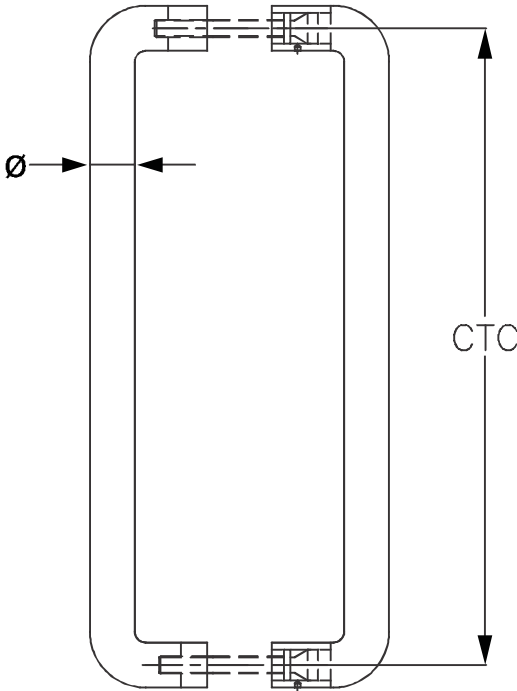
Function :
Active knobs on both sides.

Finish : Satin Stainless Steel

| | Function | Finish | Ordering Code | Reference Code | |
|--|----------|--------|---------------|----------------|---------------|
| | Entrance | SSS | XL - C 2020 S | 9127352 | MRP:Rs.1385/- |
| | Privacy | SSS | XL - C 2021 S | 9127353 | MRP:Rs.1325/- |
| | Passage | SSS | XL - C 2022 S | 9127323 | MRP:Rs.1325/- |

Pull Handle

D - Type



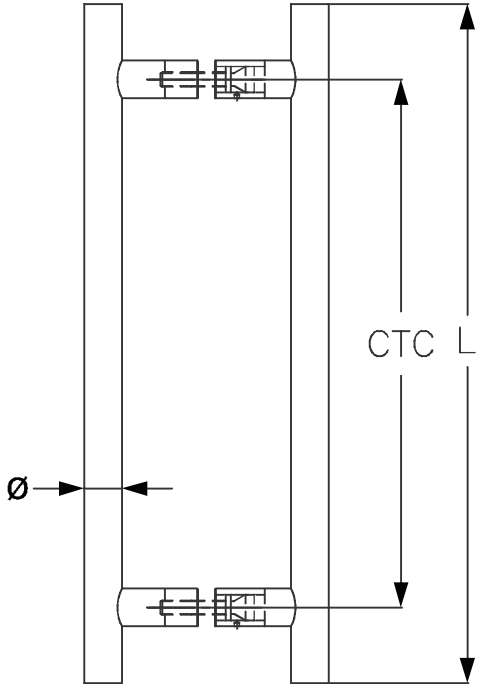
Centre to Centre (CTC) : 150 mm
 Diameter (∅) : 19 mm
 Grade : SS 304
 Finish : Satin Stainless Steel

Ordering Code : XL - C 3001A
 Reference Code : 9127324 **MRP:Rs.1265/-**

Centre to Centre (CTC) : 300 mm
 Diameter (∅) : 22 mm
 Grade : SS 304
 Finish : Satin Stainless Steel

Ordering Code : XL - C 3002A
 Reference Code : 9127354 **MRP:Rs.2095/-**

H - Type



Length (L) : 400 mm
 Centre to Centre (CTC) : 300 mm
 Diameter (∅) : 22 mm
 Grade : SS 304
 Finish : Satin Stainless Steel

Ordering Code : XL - C 3000A
 Reference Code : 9125521 **MRP:Rs.2345/-**

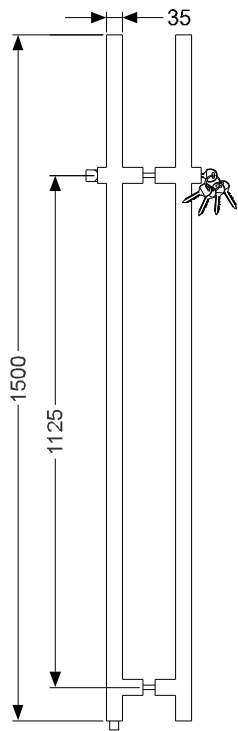
Length (L) : 450 mm
 Centre to Centre (CTC) : 350 mm
 Diameter (∅) : 25 mm
 Grade : SS 304
 Finish : Satin Stainless Steel

Ordering Code : XL - C 3003A
 Reference Code : 9127327 **MRP:Rs.3790/-**

Length (L) : 600 mm
 Centre to Centre (CTC) : 500 mm
 Diameter (∅) : 32 mm
 Grade : SS 304
 Finish : Satin Stainless Steel

Ordering Code : XL - C 3004A
 Reference Code : 9127328 **MRP:Rs.5735/-**

Note : Suitable upto door thickness of 35 mm



Ordering Code : XL - C LH 3024

Reference Code : 9127331

MRP:Rs.12,675/-

DORMA Pull handle

TGDI Lockable 1500 x 35 mm

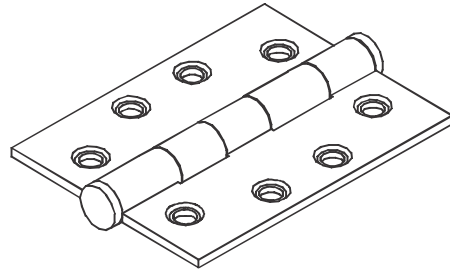
Center to Center - 1125 mm

Length - 1500 mm, Diameter - 35 mm

SS304 Grade

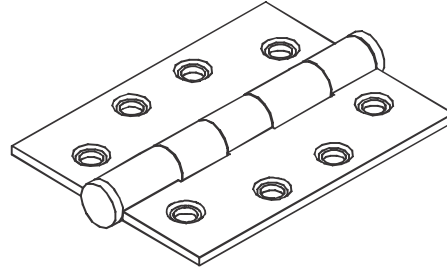
SSS Finish

**Lockable
Pull Handle**

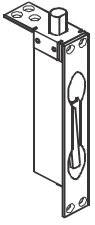


| Description | Size | Ordering Code | Reference Code |
|--|------------------|---|----------------|
| 5 Knuckle, 4 Ball Bearing Butt Hinge Grade SS 304 Finish SSS | 5" x 3.5" x 3 mm | XL - C 3005A MRP:Rs.605/- | 9127375 |
| 5 Knuckle, 2 Ball Bearing Butt Hinge Grade SS 304 Finish SSS | 5" x 3.5" x 3 mm | XL - C 3006A MRP:Rs.567.50/- | 9127376 |
| 5 Knuckle, 2 Ball Bearing Butt Hinge Grade SS 304 Finish SSS | 4.5" x 4" x 3 mm | XL - C 3007A MRP:Rs.555/- | 9127377 |
| 5 Knuckle, 2 Ball Bearing Butt Hinge Grade SS 304 Finish SSS | 4" x 4" x 3 mm | XL - C 3008A MRP:Rs.545/- | 9127378 |
| 5 Knuckle, 2 Ball Bearing Butt Hinge Grade SS 304 Finish SSS | 4" x 3" x 3 mm | XL - C 3009A MRP:Rs.410/- | 9127329 |
| 9127341/ XL-C 3036A : 4" X 3" X 3MM 2BB with Metal Screws : MRP Rs.410/- | | | |
| 5 Knuckle, 2 Ball Bearing Butt Hinge Grade SS 304 Finish SSS | 4" x 3" x 2.5 mm | XL - C 3010A MRP:Rs.380/- | 9127379 |
| 5 Knuckle Butt Hinge without Ball Bearing Grade SS 304 Finish SSS | 4" x 3" x 2.5 mm | XL - C 3011A MRP:Rs.360/- | 9127380 |
| 5 Knuckle Butt Hinge without Ball Bearing Grade SS 304 Finish SSS | 4" x 3" x 2 mm | XL - C 3012A MRP:Rs.337.50/- | 9127381 |

Hinge



| Description | Size | Ordering Code | Reference Code |
|---|----------------|---|----------------|
| 5 Knuckle, 2 Ball Bearing Butt Hinge Grade SS 304 Finish SSS | 5" x 3" x 3 mm | XL - C 3035A MRP:Rs.487.50/- | 9121236 |

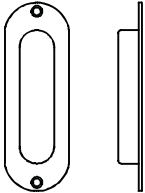


Manual Flush Bolt for
Wooden Door
W - 20 mm, L - 172 mm

Finish : Satin Nickel Plate

MRP:Rs.1245/-

Ordering Code : XL - C 3013A
Reference Code : 9127307

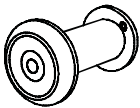


Oval Flush Pull
85 x 22 mm SSS

Finish : Satin Chrome

MRP:Rs.310/-

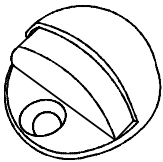
Ordering Code : XL - C 3014A
Reference Code : 9127333



Door Eye viewer without flap
Finish : Satin Nickel Plate

Ordering Code : XL - C 3015A
Reference Code : 9127334

MRP:Rs.380/-

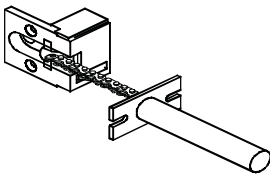


Half Dome (45 mm)
Floor Mounted Door Stop

Finish : SSS

Ordering Code : XL - C 3017A
Reference Code : 9127336

MRP:Rs.225/-

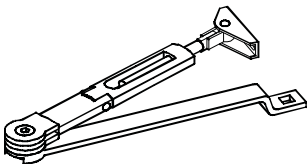


Spring Loaded
Security Door Chain

Finish : Satin Nickel Plate

Ordering Code : XL - C 3019A
Reference Code : 9127338

MRP:Rs.985/-

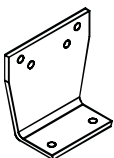


Hold Open Arm
for XL - C 1002

Finish : Silver

Ordering Code : XL - C 3020A
Reference Code : 9116622

MRP:Rs.2560/-

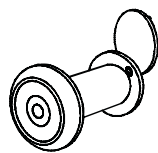


Parallel Arm Bracket
for XL - C 1002

Finish : Silver

Ordering Code : XL - C 3021A
Reference Code : 9116623

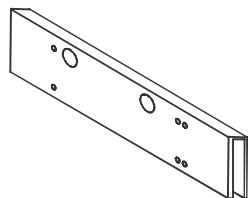
MRP:Rs.585/-



Door Eye viewer with Flap
Finish : Satin Nickel Plate

Ordering Code : XL - C 3022A
Reference Code : 9127390

MRP:Rs.630/-

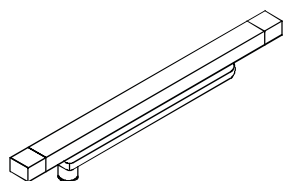


Saddle Plate
Suitable for
XL - C 1002 & XL - C 1004

Ordering Code : XL - C 3034
Reference Code : 9112491

Finish : Silver

MRP:Rs.1900/-

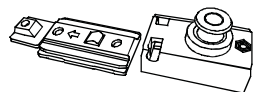


Slide Channel

Finish : Silver
Suitable with **XL - C 1003**, EN3 fitting
Suitable with **XL - C 1004**, EN4 fitting

Ordering Code : XL - C 3023
Reference Code : 9112489

MRP:Rs.1395/-

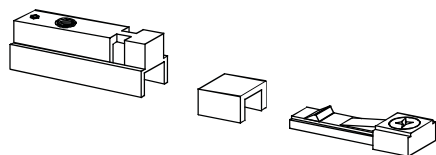


Hold Open Unit

Suitable with **XL - C 1006**, EN4 fitting

Ordering Code : XL - C 1014
Reference Code : 9115975

MRP:Rs.705/-

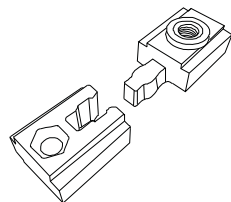


Hold Open Unit

Suitable with **XL - C 3023**

Ordering Code : XL - C 1015
Reference Code : 9121235

MRP:Rs.2295/-



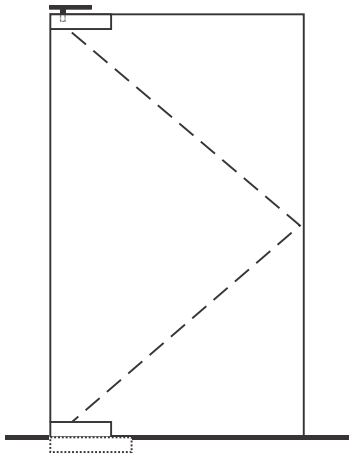
Hold Open Unit

Suitable with **XL - C 3023**

Ordering Code : XL - C 1016
Reference Code : 9121240

MRP:Rs.515/-

Glass Door Package (without Lock)



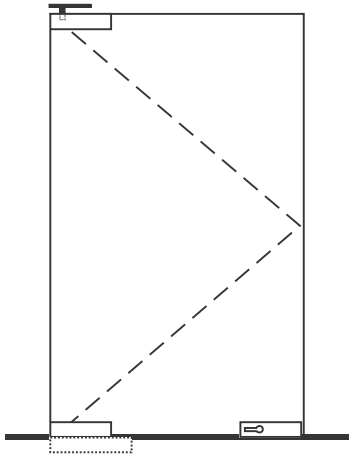
Glass Door Package consists of

- 1. Top Pivot - 1 No.
- 2. Top Patch - 1 No.
- 3. Bottom Patch - 1 No.
- 4. Floor Spring (EN4) - 1 No.
- Maximum Door Width - 1100 mm
- Maximum Door Weight - 100 Kgs

Finish : Polished Chrome
Suitable for Glass Thickness : 10mm / 12mm

Ordering Code : XL - C 4000 **MRP:Rs.12195/-**
Reference Code : 9137527

Glass Door Package (with Lock)



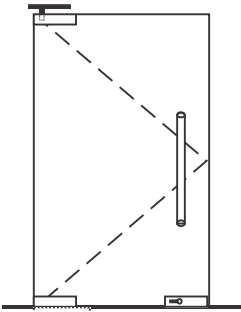
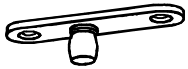
Glass Door Package consists of

- 1. Top Pivot - 1 No.
- 2. Top Patch - 1 No.
- 3. Bottom Patch - 1 No.
- 4. Corner Lock patch with EPC & floor strike - 1 No.
- 5. Floor Spring (EN4) - 1 No.
- Maximum Door Width - 1100 mm
- Maximum Door Weight - 100 Kgs

Finish : Polished Chrome
Suitable for Glass Thickness : 10mm / 12mm

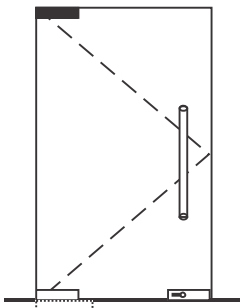
Ordering Code : XL - C 4001B **MRP:Rs.14765/-**
Reference Code : 9142029

Top Pivot



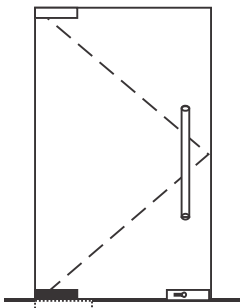
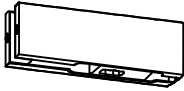
Ordering Code : XL - C 4014
Reference Code : 9137571
MRP:Rs.320/-

Top Patch



Ordering Code : XL - C 4012
Reference Code : 9137572
MRP:Rs.2020/-

Bottom Patch

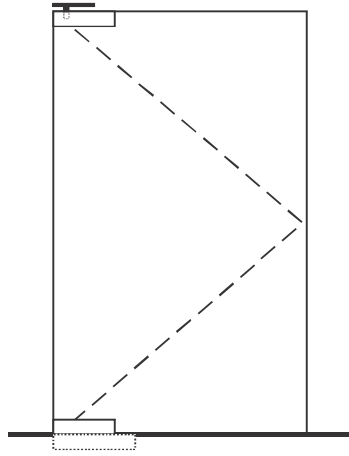


Ordering Code : XL - C 4013
Reference Code : 9137573
MRP:Rs.2020/-

Finish : Polished Chrome
Suitable for Glass Thickness : 10 mm / 12 mm

Note : Not to be sold in loose, for replacement only

Glass Door Package

Glass Door Package (without Lock)**Glass Door Package consists of**

- | | | |
|-----------------------|---|--------|
| 1. Top Pivot | - | 1 No. |
| 2. Top Patch | - | 1 No. |
| 3. Bottom Patch | - | 1 No. |
| 4. Floor Spring (EN3) | - | 1 No. |
| Maximum Door Width | - | 950 mm |
| Maximum Door Weight | - | 80 Kgs |

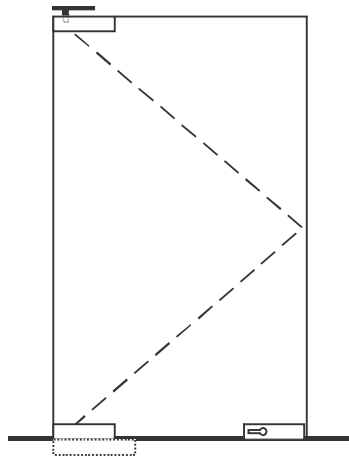
Finish : Polished Chrome

Suitable for Glass Thickness : 10 mm / 12 mm

Ordering Code : XL - C 4050

MRP:Rs.11015/-

Reference Code : 9137879

Glass Door Package (with Lock)**Glass Door Package consists of**

- | | | |
|---|---|--------|
| 1. Top Pivot | - | 1 No. |
| 2. Top Patch | - | 1 No. |
| 3. Bottom Patch | - | 1 No. |
| 4. Corner Lock patch with EPC & floor strike | - | 1 No. |
| 5. Floor Spring (EN3) | - | 1 No. |
| Maximum Door Width | - | 950 mm |
| Maximum Door Weight | - | 80 Kgs |

Finish : Polished Chrome

Suitable for Glass Thickness : 10 mm / 12 mm

Ordering Code : XL - C 4051

MRP:Rs.13145/-

Reference Code : 9137880

Article No. 9133672 / Dorma XL-C 4030 Glass Door Package without Lock : MRP :Rs.8405/-

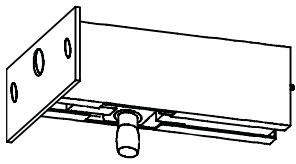
(Top Pivot - 1 No.,Top Patch - 1No.,Bottom Patch -1 No.,Floor Spring - 60Kgs / 900MM)

**Glass Door
Package**

Article No. 9133671 / Dorma XL-C 4031 Glass Door Package with Lock : MRP : Rs.10,875/-

(Top Pivot - 1 No.,Top Patch - 1No.,Bottom Patch -1 No.,Corner Lock Patch with EPC and Floor strike - 1 No.,Floor Spring - 60Kgs / 900MM)

Fanlight patch for wall fixing



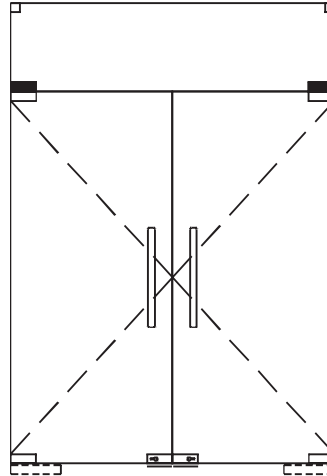
Ordering Code : XL - C 4002A

Reference Code : 9137502

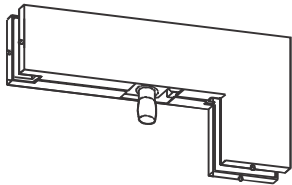
MRP:Rs.2620/-

Finish : Polished Chrome

Suitable for Glass Thickness : 10 mm / 12 mm



Patch fitting for overpanel and sidelight



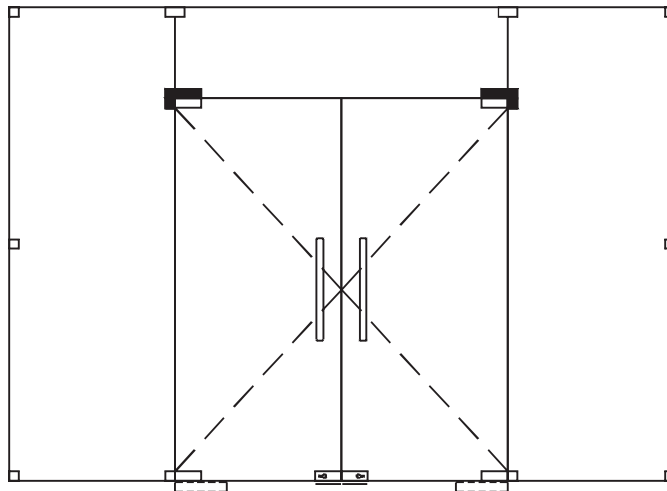
MRP:Rs.3145/-

Ordering Code : XL - C 4003A

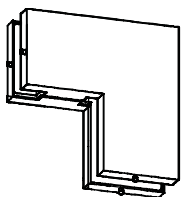
Reference Code : 9137503

Finish : Polished Chrome

Suitable for Glass Thickness : 10 mm / 12 mm



Connector for overpanel and Sidelight



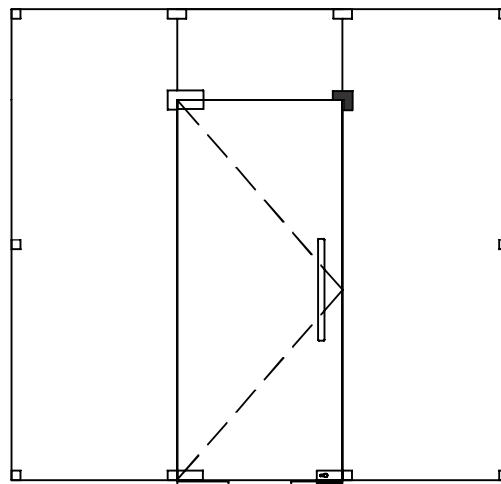
Ordering Code : XL - C 4004A

Reference Code : 9137505

MRP:Rs.2880/-

Finish : Polished Chrome

Suitable for Glass Thickness : 10 mm / 12 mm

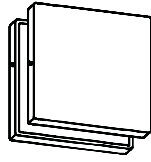


**Glass Door
Accessories**

Glass Door Accessories

Patch fitting for over panel and sidelight with pivot and Fin (LH)*

Central Connector



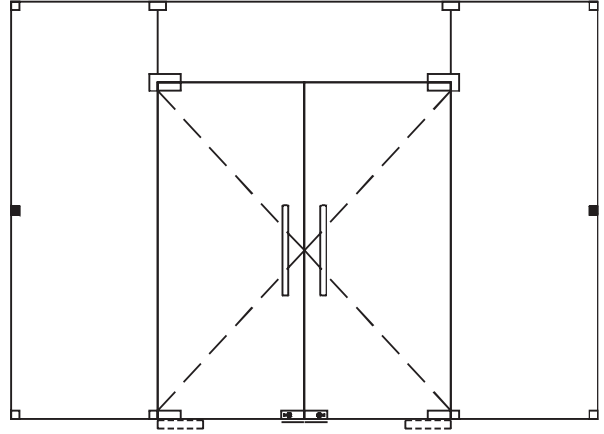
MRP:Rs.975/-

Ordering Code : XL - C 4006A

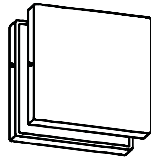
Reference Code : 9137504

Finish : Polished Chrome

Suitable for Glass Thickness : 10 mm / 12 mm



Corner Connector



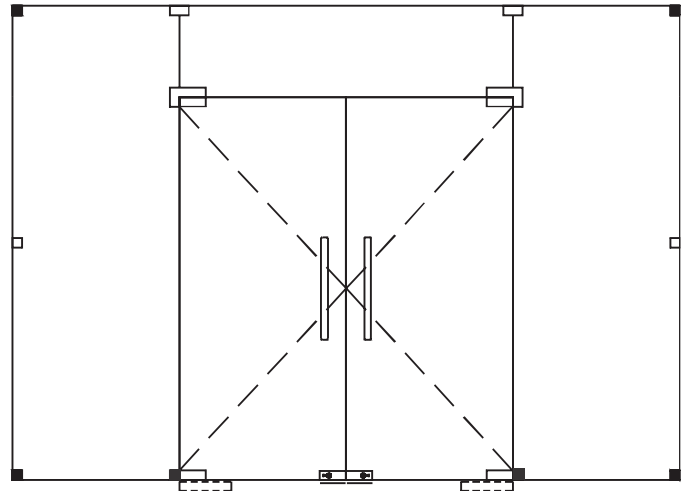
MRP:Rs.975/-

Ordering Code : XL - C 4007A

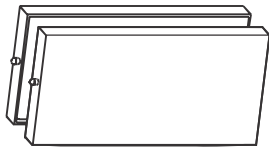
Reference Code : 9137523

Finish : Polished Chrome

Suitable for Glass Thickness : 10 mm / 12 mm



Side Connector



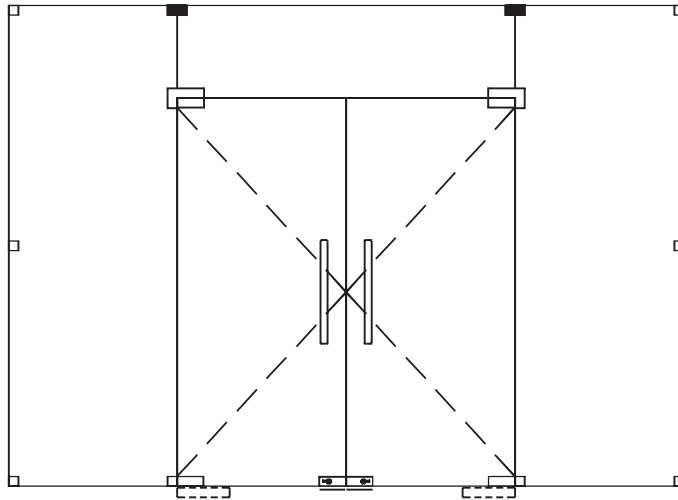
MRP:Rs.1285/-

Ordering Code : XL - C 4008A

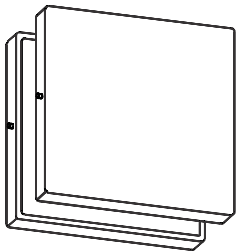
Reference Code : 9137515

Finish : Polished Chrome

Suitable for Glass Thickness : 10 mm / 12 mm



Quadruple Connector



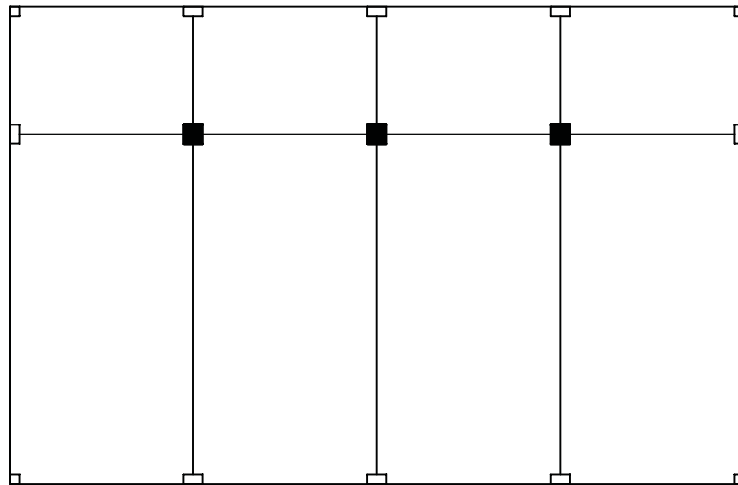
Ordering Code : XL - C 4009A

Reference Code : 9137524

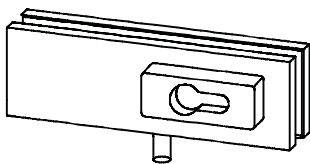
MRP:Rs.2450/-

Finish : Polished Chrome

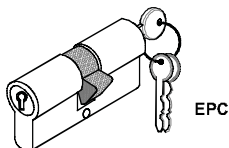
Suitable for Glass Thickness : 10 mm / 12 mm



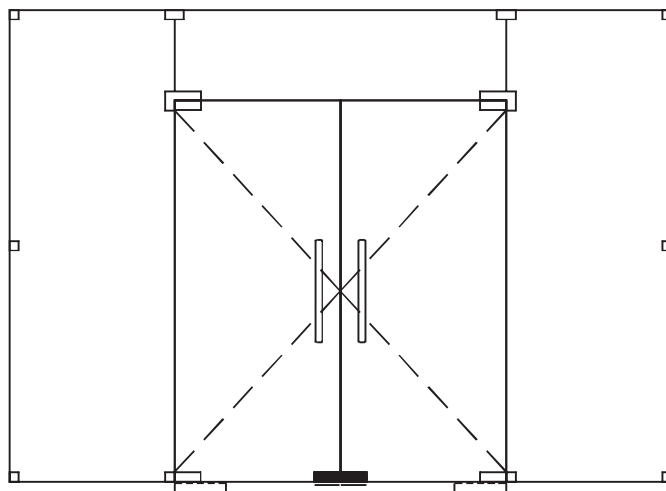
Corner Lock patch with EPC and strike plate



Strike Plate



EPC



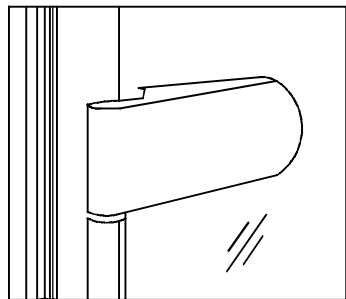
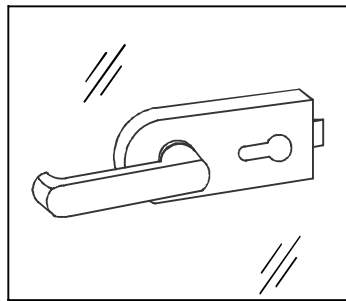
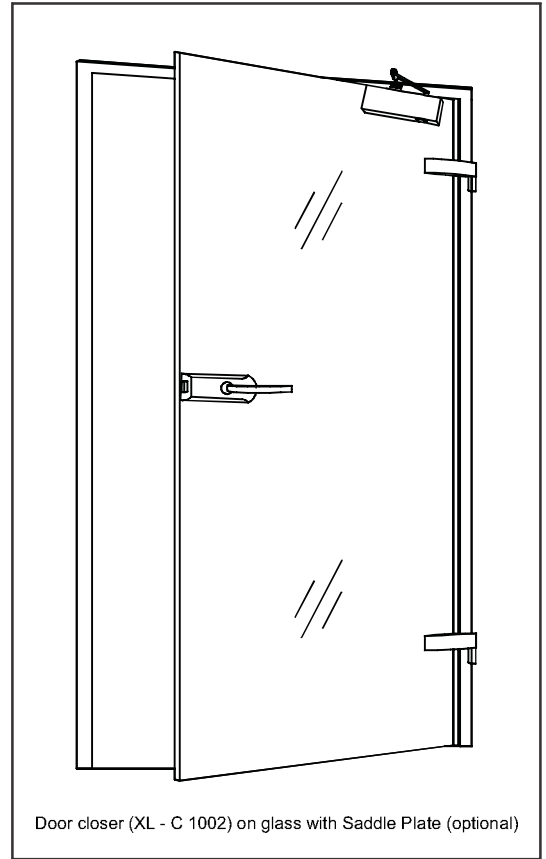
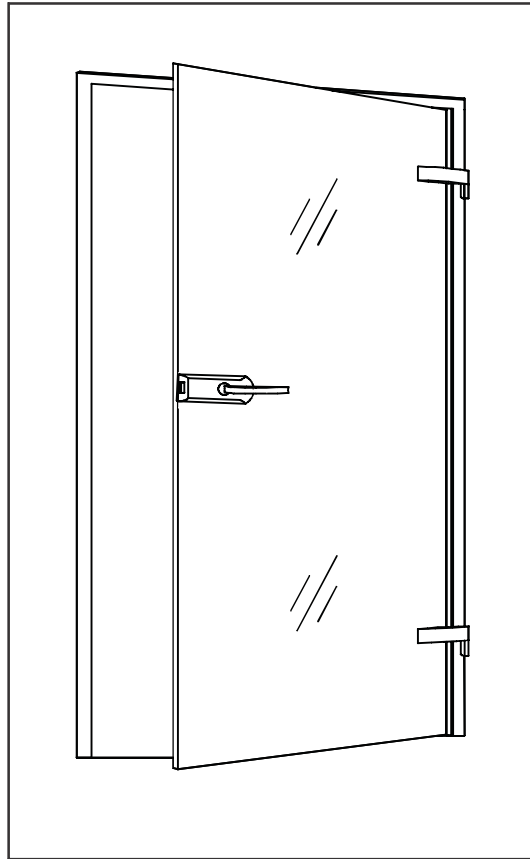
Ordering Code : XL - C 4011A

Reference Code : 9137528

Finish : Polished Chrome

MRP:Rs.3140/-

Suitable for Glass Thickness : 10 mm / 12 mm



- Locks (prepared for handles without roses)
- Hinges inclusive of sleeve (2 nos.)
- Lever handles
- Angled strike plate
- Frame pivot, Screw on type
- EPC

MRP:Rs.19455/-

Ordering Code : XL - C 301
Reference Code : 9138067

Finish : Aluminum Silver

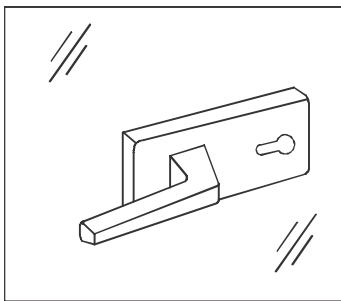
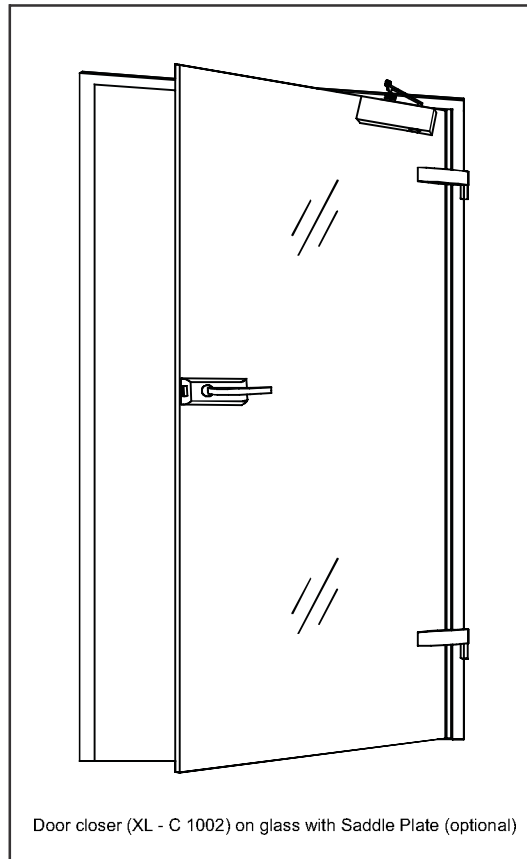
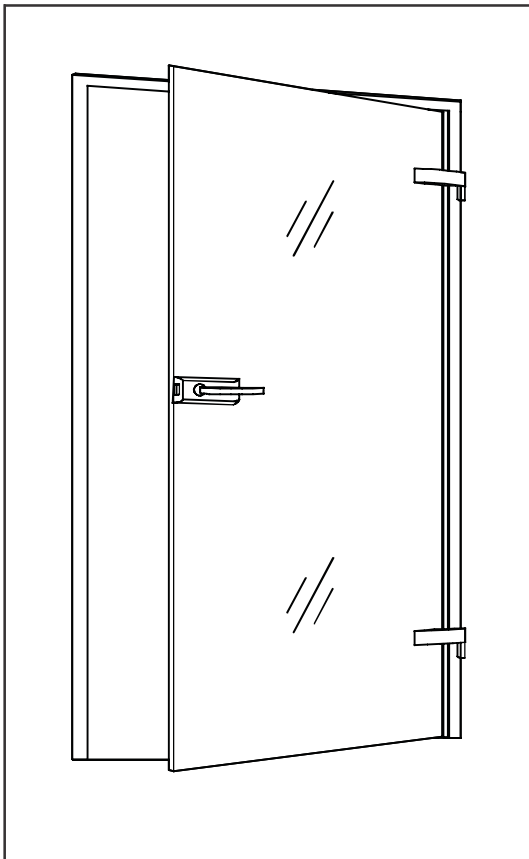
MRP:Rs.25010/-

Ordering Code : XL - C 302
Reference Code : 9138068

Finish : Aluminum Satin Stainless Steel

Suitable for Glass Thickness : 8 mm / 10 mm
Maximum Weight of Door : 45 Kg.

**Internal
Glass Door
Package**



- Locks (prepared for handles without roses)
- Hinges inclusive sleeve (2 nos.)
- Lever handles
- Angled strike plate
- Frame pivot, Screw on type
- EPC

MRP:Rs.16675/-

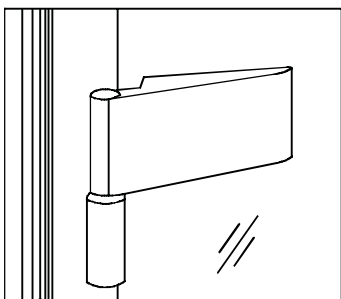
Ordering Code : XL - C 303
Reference Code : 9138069

Finish : Aluminum Silver

MRP:Rs.23065/-

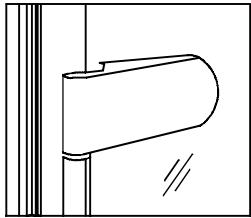
Ordering Code : XL - C 304
Reference Code : 9138070

Finish : Aluminum Satin Stainless Steel



Suitable for Glass Thickness : 8 mm / 10 mm
Maximum Weight of Door : 45 Kg.

**Internal
Glass Door
Package**

IGD Hinge

Ordering Code : XL - C 305

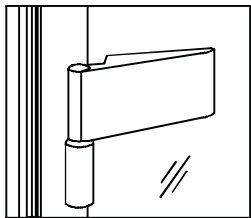
Reference Code : 9137964

MRP:Rs.4215/-

Finish : Aluminium Silver

Suitable for Glass thickness : 8 / 10 mm

Max. Weight of Door : 45 kg

IGD Hinge

Ordering Code : XL - C 306

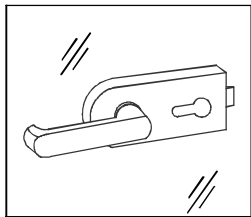
Reference Code : 9137971

MRP:Rs.4920/-

Finish : Aluminium Satin Stainless Steel

Suitable for Glass thickness : 8 / 10 mm

Max. Weight of Door : 45 kg

IGD Lock

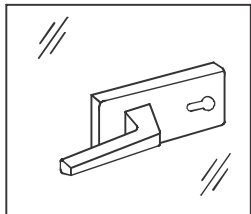
Ordering Code : XL - C 307

Reference Code : 9137972

MRP:Rs.12260/-

Finish : Aluminium Silver

Suitable for Glass thickness : 8 / 10 mm

IGD Lock

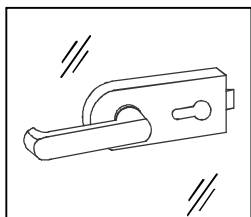
Ordering Code : XL - C 308

Reference Code : 9137973

MRP:Rs.14460/-

Finish : Aluminium Satin Stainless Steel

Suitable for Glass thickness : 8 / 10 mm

IGD Lock

Ordering Code : XL - C 309

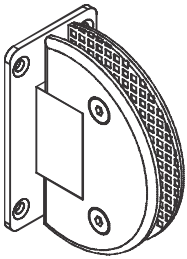
Reference Code : 9138095

MRP:Rs.14460/-

Finish : Aluminium Satin Stainless Steel

Suitable for Glass thickness : 8 / 10 mm

Glass to Wall Hinge 90°



Ordering Code : XL - C 5001

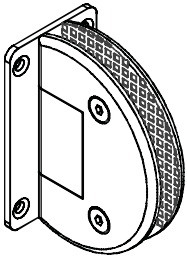
Reference Code : 9138022

MRP:Rs.2605/-

Finish : Polished Chrome

Suitable for 8 mm / 10 mm Glass Thickness

Glass to Wall Bracket 90° (big)



Ordering Code : XL - C 5002

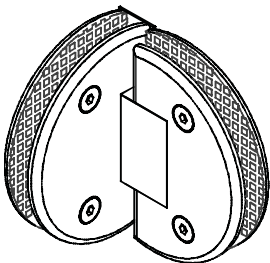
Reference Code : 9138027

MRP:Rs.2605/-

Finish : Polished Chrome

Suitable for 8 mm / 10 mm Glass Thickness

Glass to Glass Hinge 90°



Ordering Code : XL - C 5003

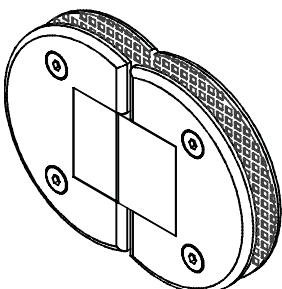
Reference Code : 9138023

MRP:Rs.4500/-

Finish : Polished Chrome

Suitable for 8 mm / 10 mm Glass Thickness

Glass to Glass Hinge 180°



Ordering Code : XL - C 5004

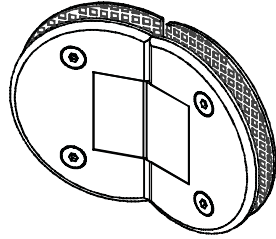
Reference Code : 9138024

MRP:Rs.4500/-

Finish : Polished Chrome

Suitable for 8 mm / 10 mm Glass Thickness

Glass to Glass Hinge 135°



Ordering Code : XL - C 5005

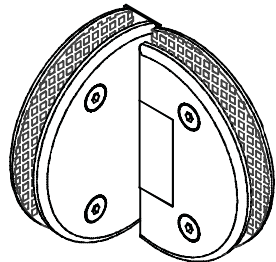
Reference Code : 9138026

MRP:Rs.4500/-

Finish : Polished Chrome

Suitable for 8 mm / 10 mm Glass Thickness

Glass to Glass Bracket 90°



Ordering Code : XL - C 5017

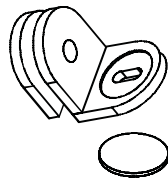
Reference Code : 9137543

MRP:Rs.4500/-

Finish : Polished Chrome

Suitable for 8 mm / 10 mm Glass Thickness

Glass to Wall Bracket 90° (Small)



Ordering Code : XL - C 5006

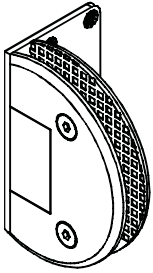
Reference Code : 9131702

MRP:Rs.1120/-

Finish : Polished Chrome

Suitable for 8 mm / 10 mm Glass Thickness

Glass to Wall Hinges 90° Single Side Plate



Ordering Code : XL - C 5028

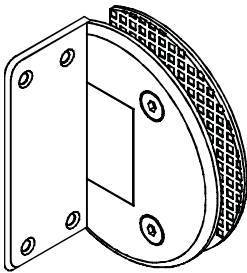
Reference Code : 9138090

MRP:Rs.2605/-

Finish : Polished Chrome

Suitable for 8 mm / 10 mm Glass Thickness

Glass to Wall Bracket 90° Single Side Plate



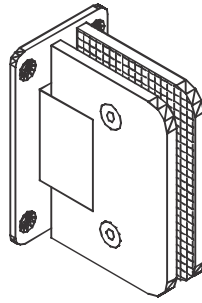
Ordering Code : XL - C 5029

Reference Code : 9138091

MRP:Rs.2605/-

Finish : Polished Chrome

Suitable for 8 mm / 10 mm Glass Thickness

Glass to Wall Hinge 90°

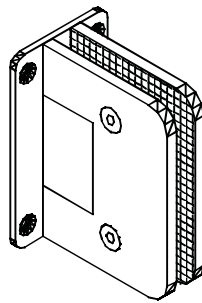
Ordering Code : XL - C 8001

Reference Code : 9138080

MRP:Rs.2605/-

Finish : Polished Chrome

Suitable for 8 mm / 10 mm Glass Thickness

Glass to Wall Bracket 90°

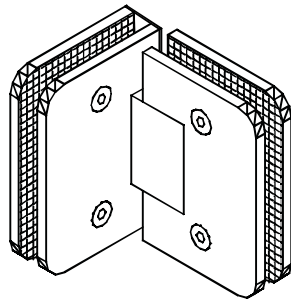
Ordering Code : XL - C 8002

Reference Code : 9138081

MRP:Rs.2605/-

Finish : Polished Chrome

Suitable for 8 mm / 10 mm Glass Thickness

Glass to Glass Hinge 90°

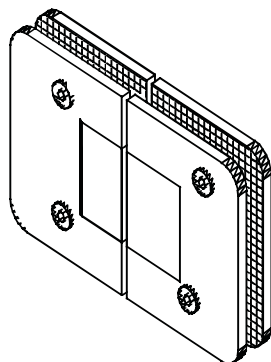
Ordering Code : XL - C 8003

Reference Code : 9138082

MRP:Rs.4500/-

Finish : Polished Chrome

Suitable for 8 mm / 10 mm Glass Thickness

Glass to Glass Hinge 180°

Ordering Code : XL - C 8004

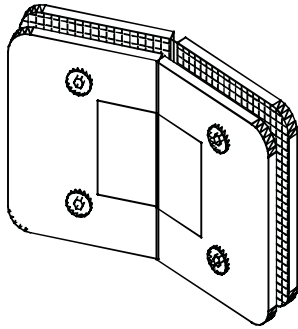
Reference Code : 9138084

MRP:Rs.4500/-

Finish : Polished Chrome

Suitable for 8 mm / 10 mm Glass Thickness

Glass to Glass Hinge 135°



Ordering Code : XL - C 8005

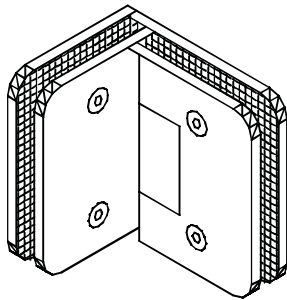
Reference Code : 9138085

MRP:Rs.4500/-

Finish : Polished Chrome

Suitable for 8 mm / 10 mm Glass Thickness

Glass to Glass Bracket 90°



Ordering Code : XL - C 8017

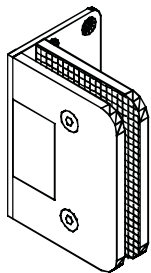
Reference Code : 9138083

MRP:Rs.4435/-

Finish : Polished Chrome

Suitable for 8 mm / 10 mm Glass Thickness

Glass to Wall Hinge 90° SNGL Side Plate



Ordering Code : XL - C 8041

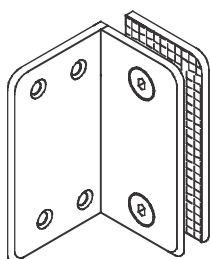
Reference Code : 9138092

MRP:Rs.2605/-

Finish : Polished Chrome

Suitable for 8 mm / 10 mm Glass Thickness

Glass to Wall Bracket 90° SNGL Side Plate



Ordering Code : XL - C 8042

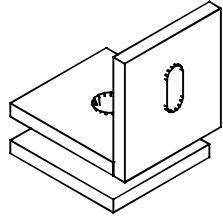
Reference Code : 9138093

MRP:Rs.2605/-

Finish : Polished Chrome

Suitable for 8 mm / 10 mm Glass Thickness

Glass to Wall Bracket 90° (Small)



Ordering Code : XL - C 8006

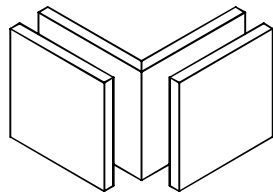
Reference Code : 9138086

MRP:Rs.675/-

Finish : Polished Chrome

Suitable for 8 mm / 10 mm Glass Thickness

Glass to Glass Bracket 90° (Small)



Ordering Code : XL - C 8007

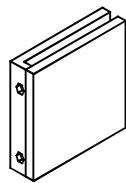
Reference Code : 9142004

MRP:Rs.1190/-

Finish : Polished Chrome

Suitable for 8 mm / 10 mm Glass Thickness

Glass to Wall Bracket Small W/O Back Plate



Ordering Code : XL - C 8008

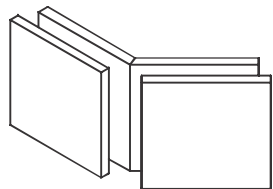
Reference Code : 9142025

MRP:Rs.555/-

Finish : Polished Chrome

Suitable for 8 mm / 10 mm Glass Thickness

Glass to Glass Bracket 135° Small



Ordering Code : XL - C 8009

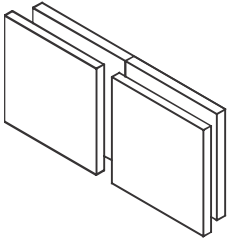
Reference Code : 9142026

MRP:Rs.1190/-

Finish : Polished Chrome

Suitable for 8 mm / 10 mm Glass Thickness

Glass to Glass Bracket 180° Small



Ordering Code : XL - C 8010

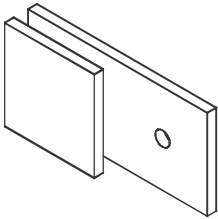
Reference Code : 9142027

MRP:Rs.1190/-

Finish : Polished Chrome

Suitable for 8 mm / 10 mm Glass Thickness

Glass to Wall Bracket Inline Back Plate



Ordering Code : XL - C 8011

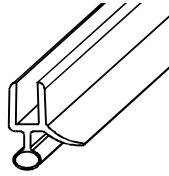
Reference Code : 9142028

MRP:Rs.1070/-

Finish : Polished Chrome

Suitable for 8 mm / 10 mm Glass Thickness

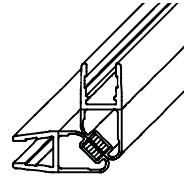
Shower Seals



Water disperser
8-10 mm glass L = 2000 mm

Ordering Code : XL - C 5007
Reference Code : 9138028

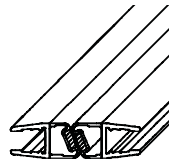
MRP:Rs.600/-



Magnetic seal 90°
8-10 mm glass L = 2500 mm

Ordering Code : XL - C 5012
Reference Code : 9138033

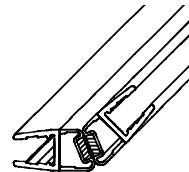
MRP:Rs.1545/-



Magnetic seal 180°
8-10 mm glass L = 2500 mm

Ordering Code : XL - C 5013
Reference Code : 9138034

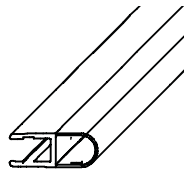
MRP:Rs.1545/-



Magnetic seal 135°
8-10 mm glass L = 2500 mm

Ordering Code : XL - C 5014
Reference Code : 9138035

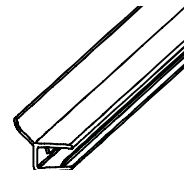
MRP:Rs.1545/-



Soft Nose Seal
8/10 mm Glass L = 2500 mm

Ordering Code : XL - C 8028
Reference Code : 9134760

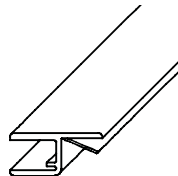
MRP:Rs.465/-



Wall Seal
8 / 10 mm Glass L = 2500 mm

Ordering Code : XL - C 8030
Reference Code : 9134768

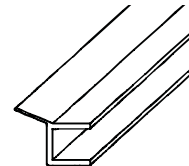
MRP:Rs.465/-



Middle Seal 180°
8/10 mm Glass L = 2500 mm

Ordering Code : XL - C 3044
Reference Code : 9134762

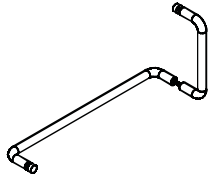
MRP:Rs.465/-



Middle Seal 135°
8/10 mm glass L = 2500 mm

Ordering Code : XL - C 3046
Reference Code : 9134770

MRP:Rs.545/-



MRP:Rs.2285/-

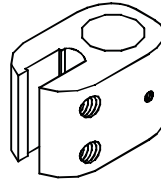
Towel Rod with Handle
458 x 205 x 18 mm

Ordering Code : XL - C 8021A
Reference Code : 9138089

Towel Rod with Handle
450 x 150 x 19 mm

Ordering Code : XL - C 8031A
Reference Code : 9138097

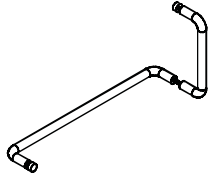
MRP:Rs.2095/-



Support Bar Glass Clamp
(for 10 mm Glass)

Ordering Code : XL - C 5027A
Reference Code : 9142006

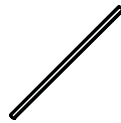
MRP:Rs.1425/-



Towel Rod Cum Handle
458 x 205 x 19 mm

Ordering Code : XL - C 5015A
Reference Code : 9138036

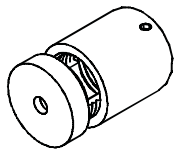
MRP:Rs.3755/-



Support Bar
2100 mm x 19 mm Dia

Ordering Code : XL - C 5018A
Reference Code : 9138062

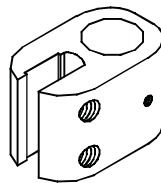
MRP:Rs.2490/-



Support Bar Wall Clamp (Pair)
(for 19 mm Dia Rod)

Ordering Code : XL - C 5019A
Reference Code : 9138063

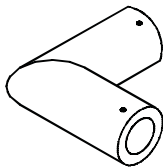
MRP:Rs.1755/-



Support Bar Glass Clamp
(for 8 mm Glass)

Ordering Code : XL - C 5020A
Reference Code : 9138064

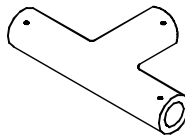
MRP:Rs.1315/-



Support Bar Clamp - 'L' Shaped

Ordering Code : XL - C 5021A
Reference Code : 9138065

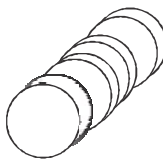
MRP:Rs.1415/-



Support Bar Clamp - 'T' Shaped

Ordering Code : XL - C 5022A
Reference Code : 9138066

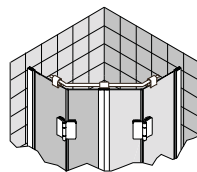
MRP:Rs.1535/-



Door Knob

Ordering Code : XL - C 5023A
Reference Code : 9142007

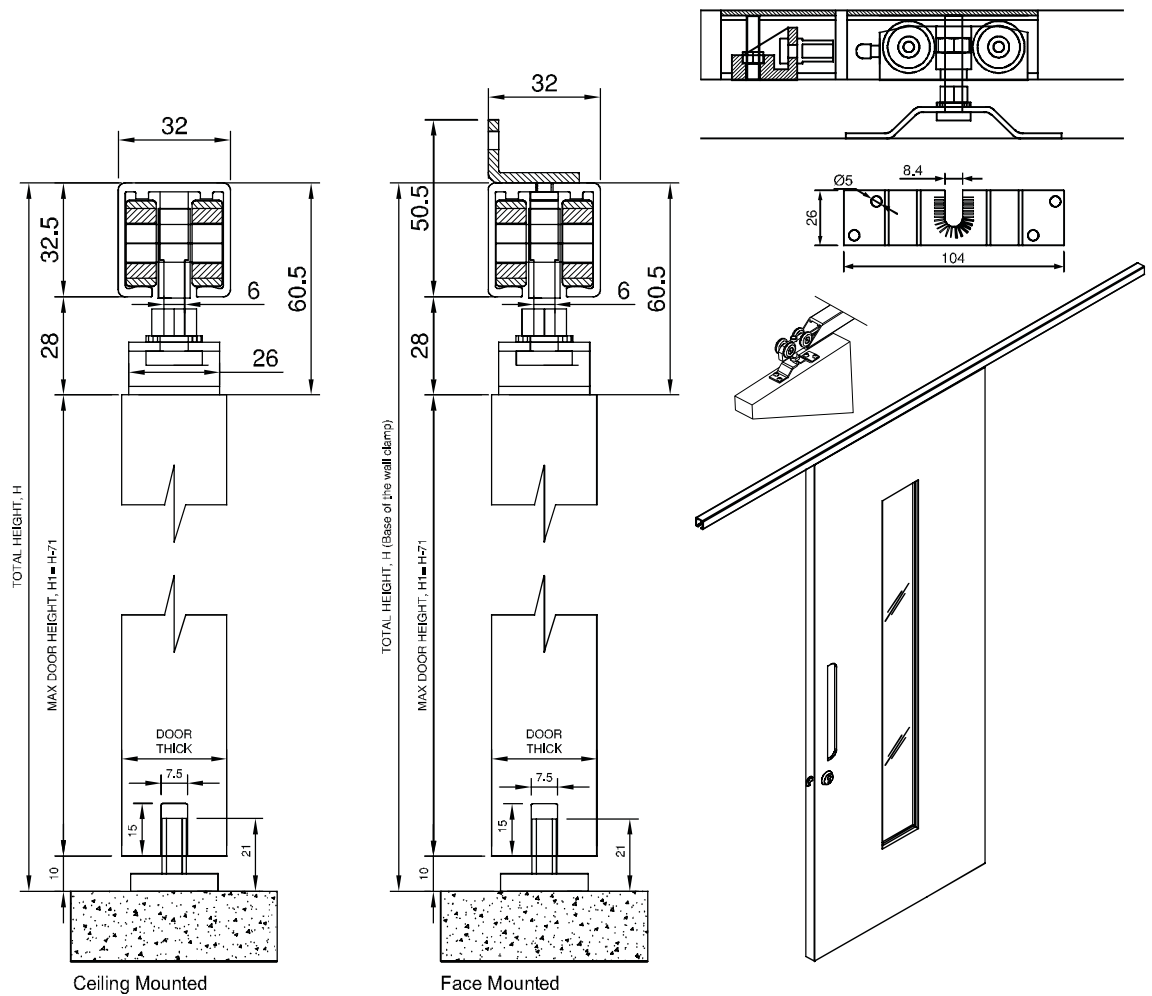
MRP:Rs.1380/-



Pentagonal Support Bar
12 mm dia

Ordering Code : XL - C 5024A
Reference Code : 9137317

MRP : Rs.4015/-



Wooden Sliding Door System

| Technical Data | XL - C 7001 | XL - C 7002 | XL - C 7003 | XL - C 7004 | XL - C 7022 | XL - C 7023 |
|--------------------------------------|-------------|-------------|-------------|-------------|-------------|-------------|
| Weight Capacity / Shutter, kg | 80 | 80 | 120 | 120 | 80 | 100 |
| Track Length, mm | 2000 | 3000 | 2000 | 3000 | 3000 | 3000 |
| Max Door Height, mm | 2400 | 2400 | 2700 | 2700 | 2400 | 2700 |
| Max Door Width, mm | 1000 | 1500 | 1000 | 1500 | 750 | 750 |
| Door Thickness, ceiling mounting, mm | 28 - 40 | 28 - 45 | 28 - 45 | 28 - 50 | 28 - 40 | 28 - 45 |
| Door Thickness, wall mounting, mm | 28 - 32 | 28 - 35 | 28 - 32 | 28 - 35 | 28 - 32 | 28 - 35 |
| Bi-Parting Possibility | NO | NO | NO | NO | YES | YES |

Ordering Code : XL - C 7001 2M WA80

Reference Code : 9137544 MRP:Rs.6305/-

Kit contains 2 mtr Track with clamping accessories, two standard rollers with two end stoppers & one door guide.

Ordering Code : XL - C 7002 3M WA80

Reference Code : 9137545 MRP:Rs.7450/-

Kit contains 3 mtr Track with clamping accessories, two standard rollers with two end stoppers & one door guide.

Ordering Code : XL - C 7022 3M WA80 BS

Reference Code : 9137576 MRP:Rs.11620/-

Kit contains 3 mtr Track with clamping accessories, two standard rollers with two end stoppers & one door guide - 2 Sets

Ordering Code : XL - C 7003 2M WA120

Reference Code : 9137546 MRP:Rs.9030/-

Kit contains 2 mtr Track with clamping accessories, two heavy duty rollers with two end stoppers and one door guide.

Ordering Code : XL - C 7004 3M WA120

Reference Code : 9137547 MRP:Rs.10180/-

Kit contains 3 mtr Track with clamping accessories, two heavy duty rollers with two end stoppers and one door guide.

Ordering Code : XL - C 7023 3M WA 100 BS

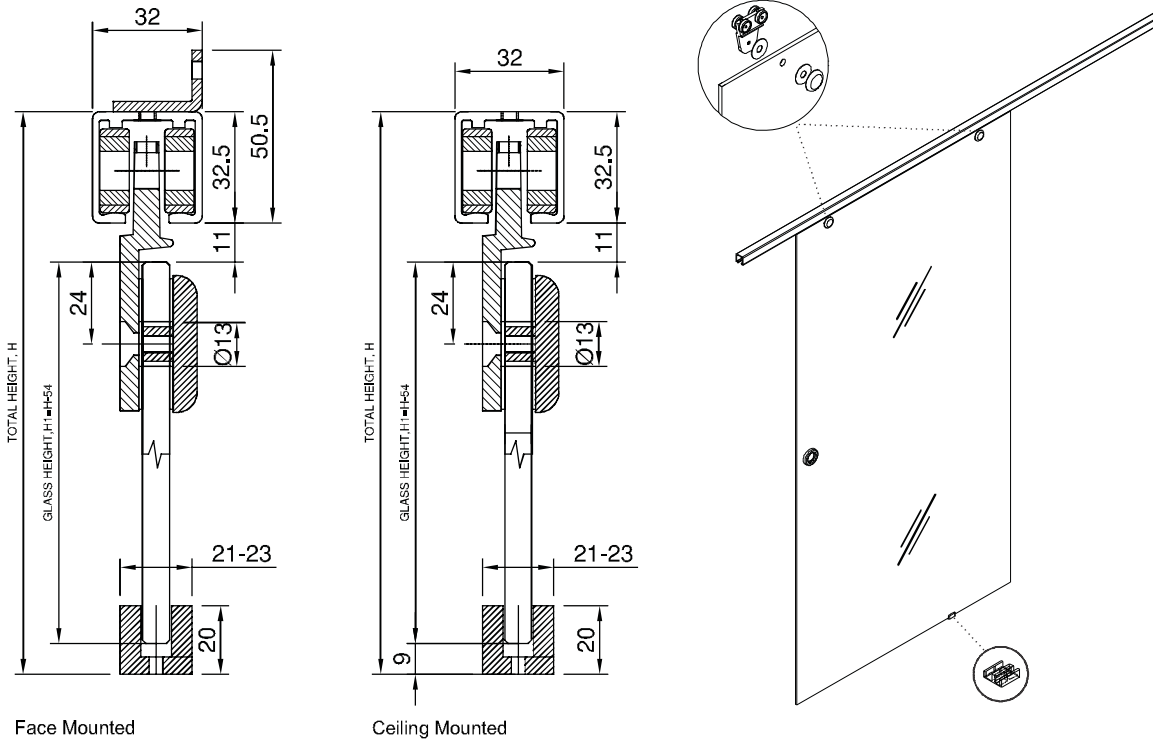
Reference Code : 9137577 MRP: Rs.17070/-

Kit contains 3 mtr Track with clamping accessories, two heavy duty rollers with two end stoppers and one door guide - 2 Sets

SLIDING GEAR
Wooden Door
Application

Optional Accessories : (Refer Page 13, 16 & 21)

- Hook Lock for Wooden Sliding door : XL - C 2014
- Oval Flush Pull : XL - C 3014A
- EPC - 60 mm / 70 mm



Face Mounted

Ceiling Mounted

Glass Sliding Door System (without Fixed Panel)

| Technical Data | XL - C 7005 | XL - C 7006 | XL - C 7007 | XL - C 7008 | XL - C 7024 | XL - C 7025 |
|-------------------------------|-------------|-------------|-------------|-------------|-------------|-------------|
| Weight Capacity / Shutter, Kg | 80 | 80 | 100 | 100 | 80 | 100 |
| Track Length, mm | 2000 | 3000 | 2000 | 3000 | 3000 | 3000 |
| Max. Door Height, mm | 2400 | 2400 | 2700 | 2700 | 2400 | 2700 |
| Max. Door Width, mm | 1000 | 1500 | 1000 | 1500 | 750 | 750 |
| Glass Door Thickness, mm | 8 - 10 | 8 - 10 | 10 - 12 | 10 - 12 | 8 - 10 | 10 - 12 |
| Bi - Parting Possibility | NO | NO | NO | NO | YES | YES |

Ordering Code : XL - C 7005 2M GL80

Reference Code : 9137548 **MRP:Rs.13840/-**

Kit contains 2 mtr Track with clamping accessories, two standard rollers with two end stoppers & one door guide.

Ordering Code : XL - C 7007 2M GL100

Reference Code : 9137550 **MRP:Rs.20345/-**

Kit contains 2 mtr Track with clamping accessories, two heavy duty rollers with two end stoppers & one door guide.

Ordering Code : XL - C 7006 3M GL80

Reference Code : 9137549 **MRP:Rs.14985/-**

Kit contains 3 mtr Track with clamping accessories, two standard rollers with two end stoppers & one door guide.

Ordering Code : XL - C 7008 3M GL100

Reference Code : 9137551 **MRP:Rs.21490/-**

Kit contains 3 mtr Track with clamping accessories, two heavy duty rollers with two end stoppers & one door guide.

Ordering Code : XL - C 7024 3M GL80 BS

Reference Code : 9137578 **MRP:Rs.26680/-**

Kit contains 3 mtr Track with clamping accessories, two standard rollers with two end stoppers & one Door guide - 2 Sets

Ordering Code : XL - C 7025 3M GL100 BS

Reference Code : 9137579 **MRP:Rs.39695/-**

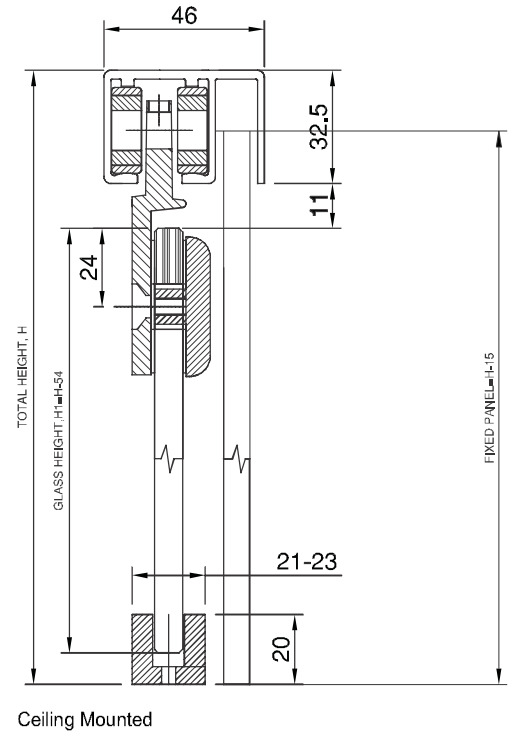
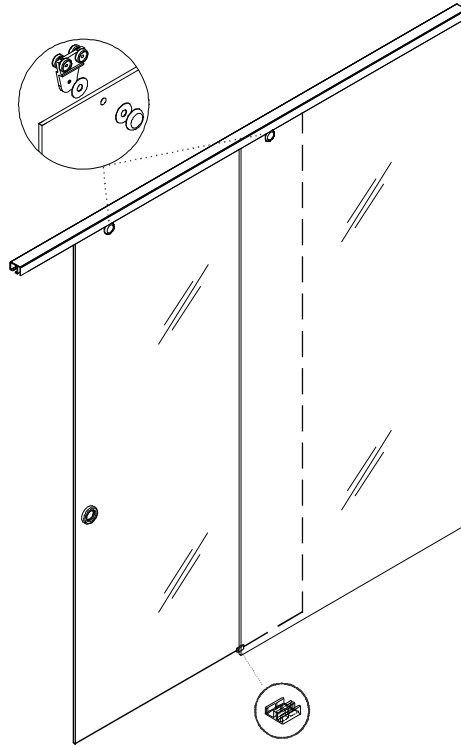
Kit contains 3 mtr Track with clamping accessories, two heavy duty rollers with two end stoppers & one door guide - 2 Sets

Optional Accessories : (Refer Page 54)

- Hook Lock for Glass Sliding door towards Wall : XL - C 7019
- Hook Lock for Glass Sliding door towards Glass : XL - C 7121
- Circular Flush Pull : XL - C 7018

SLIDING GEAR
Glass Door Application
(without fixed panel)

Sliding Gear (Glass Door Application)



Glass Sliding Door System (with Fixed Panel)

| Technical Data | XL - C 7009 | XL - C 7010 | XL - C 7011 | XL - C 7012 | XL - C 7026 | XL - C 7027 |
|--------------------------------|-------------|-------------|-------------|-------------|-------------|-------------|
| Weight Capacity / Shutter, Kg | 80 | 80 | 100 | 100 | 80 | 100 |
| Track Length, mm | 2000 | 3000 | 2000 | 3000 | 3000 | 3000 |
| Max. Door Height, mm | 2400 | 2400 | 2700 | 2700 | 2400 | 2700 |
| Max. Door Width, mm | 1000 | 1500 | 1000 | 1500 | 750 | 750 |
| Glass Door Thickness, mm | 8 - 10 | 8 - 10 | 10 - 12 | 10 - 12 | 8 - 10 | 10 - 12 |
| Fixed Glass Door Thickness, mm | 8 - 10 | 8 - 10 | 8 - 10 | 8 - 10 | 8 - 10 | 8 |
| Bi - Parting Possibility | NO | NO | NO | NO | YES | YES |

Ordering Code : XL - C 7009 2M GLF80

Reference Code : 9137552 MRP:Rs.14525/-

Kit contains 2 mtr fixed glass track with screws, two standard rollers with two end stoppers & one door guide.

Ordering Code : XL - C 7011 2M GLF100

Reference Code : 9137554 MRP:Rs.21030/-

Kit contains 2 mtr fixed glass track with screws, two heavy duty rollers with two end stoppers & one door guide.

Ordering Code : XL - C 7010 3M GLF80

Reference Code : 9137553 MRP:Rs.16015/-

Kit contains 3 mtr fixed glass track with screws, two standard rollers with two end stoppers & one door guide.

Ordering Code : XL - C 7012 3M GLF100

Reference Code : 9137555 MRP:Rs.22520/-

Kit contains 3 mtr fixed glass track with screws, two heavy duty rollers with two end stoppers & one door guide.

Ordering Code : XL - C 7026 3M GLF80 BS

Reference Code : 9137580 MRP:Rs.27555/-

Kit contains 3 mtr fixed glass track with screws, two standard rollers with two end stoppers & one door guide - 2 Sets

Ordering Code : XL - C 7027 3M GLF100 BS

Reference Code : 9137581 MRP:Rs.40565/-

Kit contains 3 mtr fixed glass track with screws, two heavy duty rollers with two end stoppers & one door guide - 2 Sets

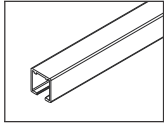
Optional Accessories : (Refer Page 54)

- Hook Lock for Glass Sliding door towards Wall : XL - C 7019
- Hook Lock for Glass Sliding door towards Glass : XL - C 7121
- Circular Flush Pull : XL - C 7018

SLIDING GEAR
Glass Door Application
(with fixed panel)

Ordering Code : XL - C 7044

Reference Code : 9137541

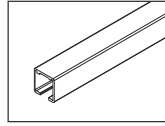


MRP : Rs.1895/-

XL - C 7044 Track
w/o Fixed Panel - 2 mtr.

Ordering Code : XL - C 7045

Reference Code : 9137542

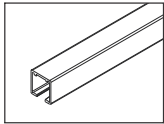


MRP:Rs.3040/-

XL - C 7045 Track
w/o Fixed Panel - 3 mtr.

Ordering Code : XL - C 7046

Reference Code : 9137540

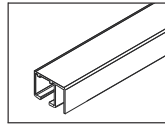


MRP:Rs.3785/-

XL - C 7046 Track
w/o Fixed Panel - 4 mtr.

Ordering Code : XL - C 7047

Reference Code : 9137539

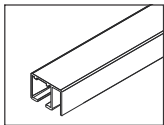


MRP:Rs.2575/-

XL - C 7047 Track
with Fixed Panel - 2 mtr.

Ordering Code : XL - C 7048

Reference Code : 9137538

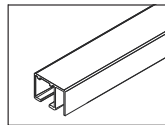


MRP:Rs.4065/-

XL - C 7048 Track
with Fixed Panel - 3 mtr.

Ordering Code : XL - C 7049

Reference Code : 9137537

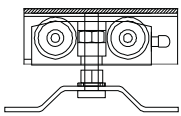


MRP:Rs.5150/-

XL - C 7049 Track
with Fixed Panel - 4 mtr.

Ordering Code : XL - C 7050

Reference Code : 9137536

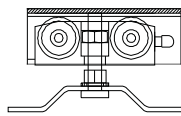


MRP:Rs.4415/-

XL - C 7050
Timber Door Roller Set - 80 kg

Ordering Code : XL - C 7051

Reference Code : 9137535

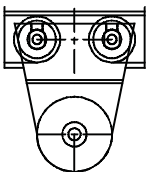


MRP:Rs.7140/-

XL - C 7051
Timber Door Roller Set - 120 kg

Ordering Code : XL - C 7052

Reference Code : 9137534

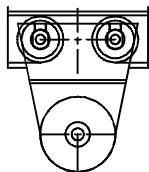


MRP:Rs.11950/-

XL - C 7052
Glass Door Roller Set - 80 kg

Ordering Code : XL - C 7053

Reference Code : 9137534

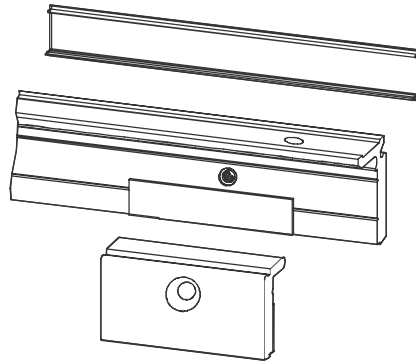


MRP:Rs.18455/-

XL - C 7053
Glass Door Roller Set - 100 kg

Wall Connecting Profile

WCP 3 Meters - Non Safety Type



Ordering Code : XL - C 4023A

Reference Code : 9137874

MRP:Rs.6785/-

Finish : Aluminium Silver

Glass Thickness : 10 mm

Ordering Code : XL - C 4025A

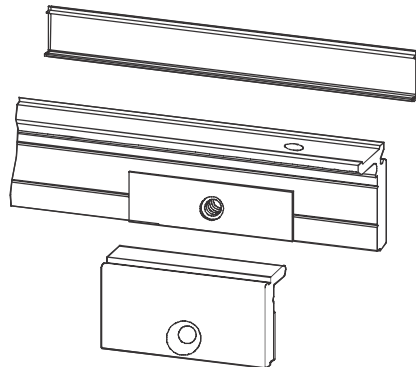
Reference Code : 9137876

MRP:Rs.8260/-

Finish : Aluminium Silver

Glass Thickness : 12 mm

WCP 3 Meters - Safety Type



Ordering Code : XL - C 4024A

Reference Code : 9137875

MRP:Rs.7485/-

Finish : Aluminium Silver

Glass Thickness : 10 mm

Ordering Code : XL - C 4026A

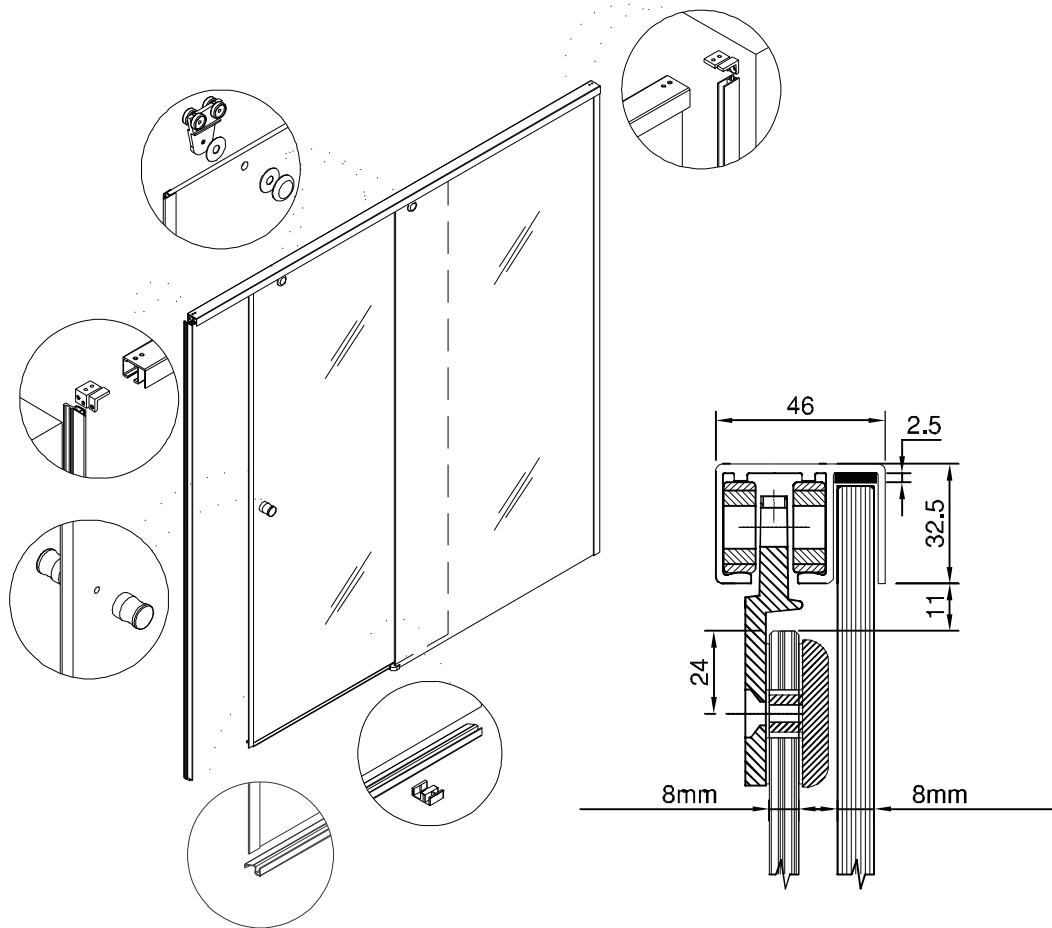
Reference Code : 9137877

MRP:Rs.9000/-

Finish : Aluminium Silver

Glass Thickness : 12 mm

**Wall
Connecting
Profile**



Sliding Shower System

- Max Door size 750 mm
- Max Height 2.5 mtrs.
- 8 mm Glass Thickness
- Standard ball bearing Rollers
- Track Length Max. 2 mtrs.
- Accessories in polished chrome finish
- Profiles in Anodised finish

Kit contains :

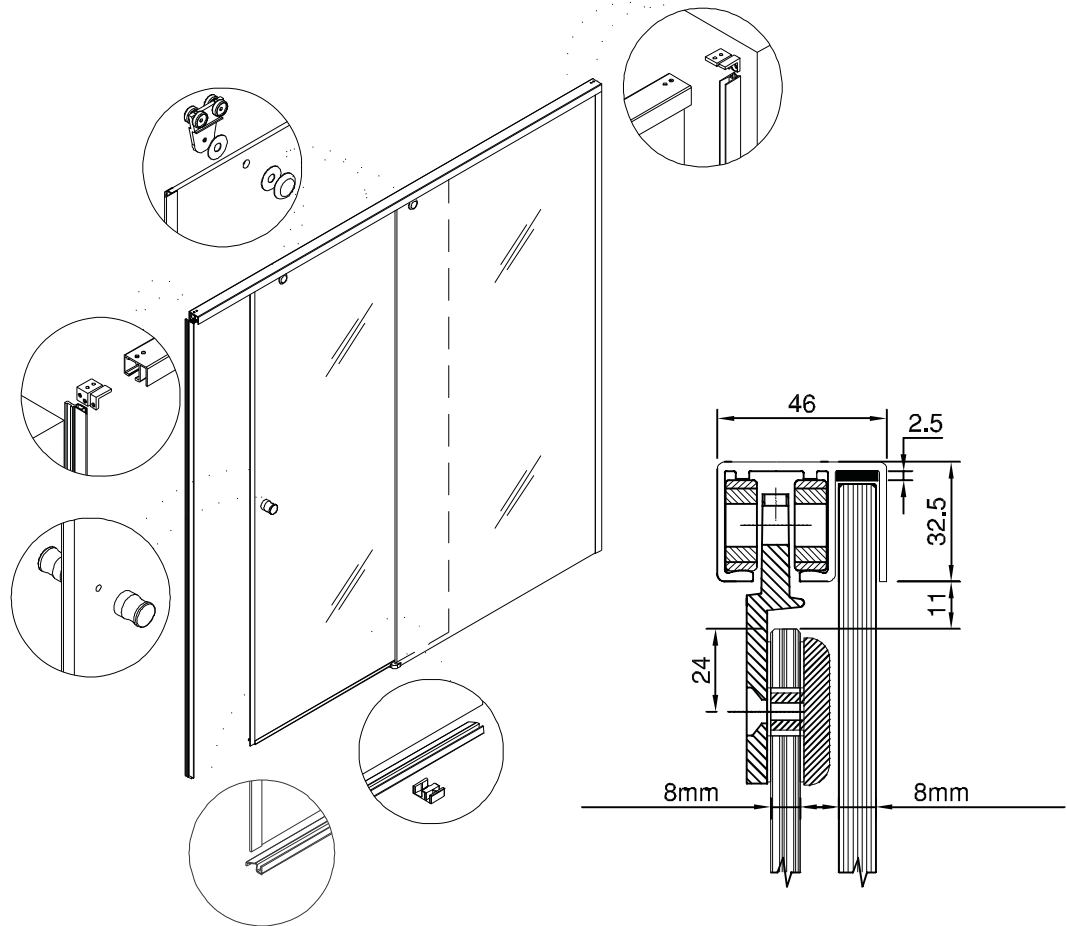
- 2 mtr Fixed Glass Track with Clamps & screws
- Two standard geared rollers with two end stoppers
- Glass Door guide for 8 mm Glass
- Water Disperser
- WCP for fixed glass
- 90° Magnetic seal with profile
- Door Knob set

Ordering Code : XL - C 7013 2.5M GLSA60

Reference Code : 9137556

MRP:Rs.28500/-

**Sliding
Shower
System**



Sliding Shower System

- Max Door size 750 mm
- Max Height 2 mtrs.
- 8 mm Glass Thickness
- Standard ball bearing Rollers
- Track Length Max. 2 mtrs.
- Accessories in polished chrome finish
- Profiles in Chrome finish

Kit contains :

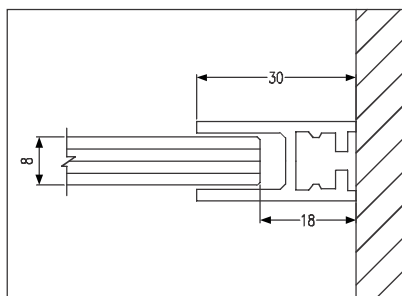
- 2 mtr Fixed Glass Track with Clamps & screws
- Two standard geared rollers with two end stoppers
- Glass Door guide for 8 mm Glass
- Water Dispenser
- 90° Magnetic seal with profile
- Door Knob set

Ordering Code : XL - C 7042 SSD (Chrome) w/o WCP

Reference Code : 9137882

MRP:Rs.28815/-

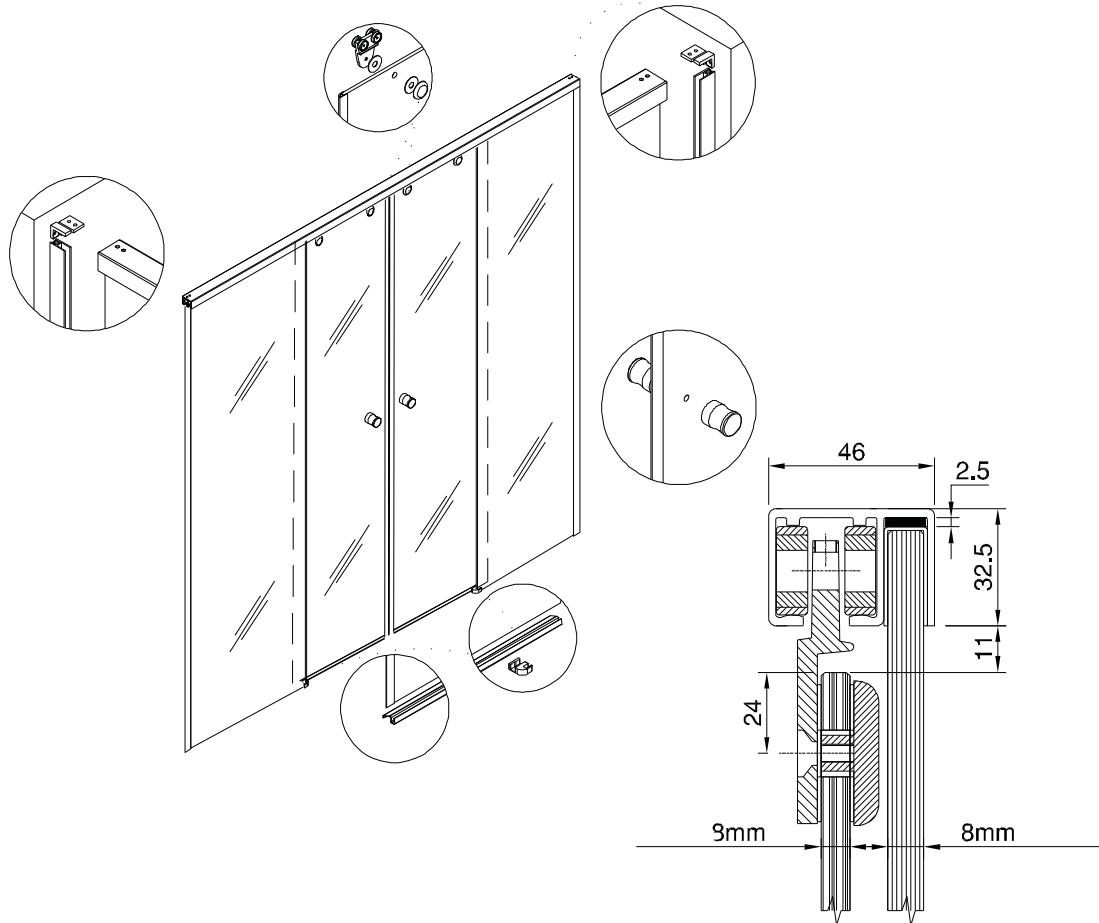
**Sliding
Shower
System**



Ordering Code : XL - C 7043 Shower - WCP (Chrome) - 2.5 Mtr.

Reference Code : 9137881

MRP:Rs.1645/-



Sliding Shower System

- Max Door Width 600 mm
- Max Height 2.5 mtrs.
- 8 mm Glass Thickness
- Standard duty ball bearing Rollers
- Track Length Max. 3 mtrs.
- Accessories in polished chrome finish
- Profiles in Anodised finish

Kit contains :

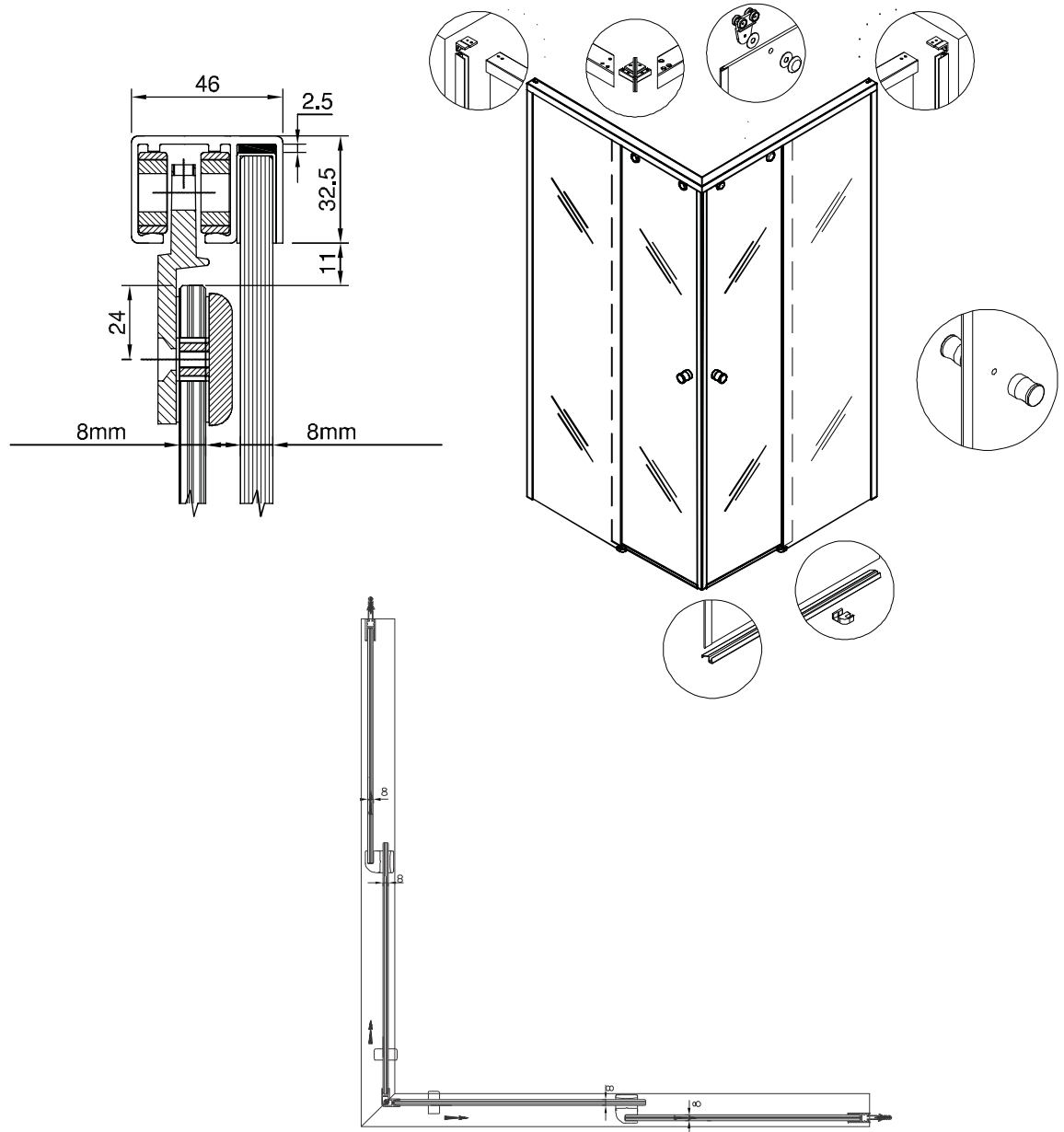
- 3 mtr Fixed Glass Track with Clamps & screws
- Two sets of standard geared rollers with end stopper
- Glass Door guides for 8 mm Glass (LH, RH)
- Water Disperser
- WCP for fixed glass - 2 Nos.
- 180° Magnetic Seal
- Door Knob sets

Ordering Code : XL - C 7036 2.5M GLSA70

Reference Code : 9101333

MRP:Rs.42095/-

**Sliding
Shower
System**



Sliding Shower System

- Max Door size 600 mm per leaf
- Max Height 2.5 Meters
- 8mm Glass Thickness
- Standard duty ball bearing Rollers
- Accessories in polished chrome finish
- Profiles in Anodised finish

Kit contains :

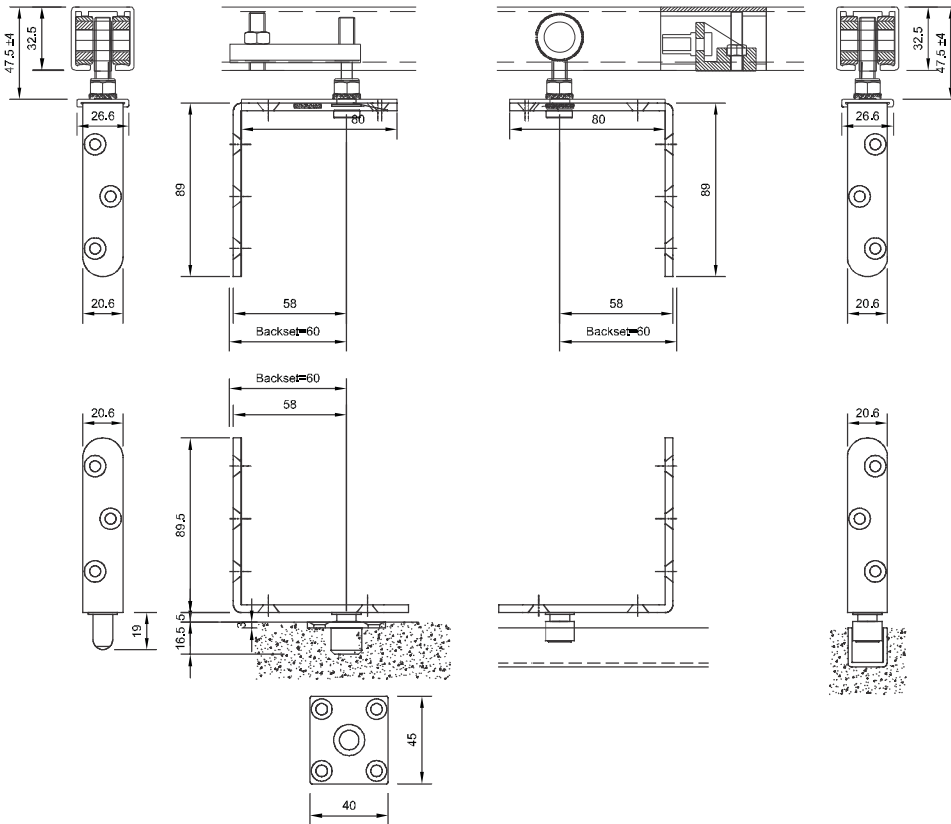
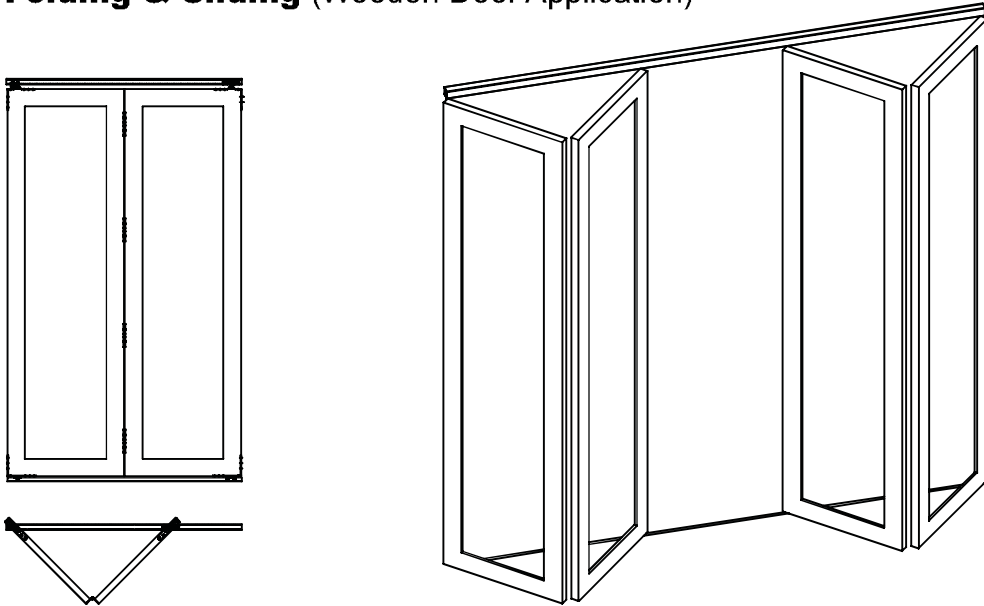
- Set of 1.5 mtr. Fixed Glass Track with Clamps & screws
- Two sets of standard geared rollers with end stopper
- Glass Door guides for 8 mm Glass (LH, RH)
- Water Dispenser
- WCP for fixed glass - 2 Nos.
- 90° Magnetic Seal
- Door Knob sets

Ordering Code : XL - C 7037 2.5 M GLSA90

Reference Code : 9101334

MRP:Rs.43485/-

**Sliding
Shower
System**



Standard Wooden Folding Sliding - SF1

- Max 80 kg/System
- 30 - 34 mm Shutter Thickness
- Each Shutter weight - Max. 40 kg
- Standard duty bearing roller & clamp
- Heavy duty track - Satin finish
- Bottom Channel
- Butt Hinges (Optional) Ref : BB Hinge spec.
- Hook Lock for Wooden Sliding (Optional)
- Flush pull (Optional)
- Flush bolt (Optional)

Ordering Code : XL - C 7014 2M SFW80

Reference Code : 9137559 **MRP :Rs.19125/-**

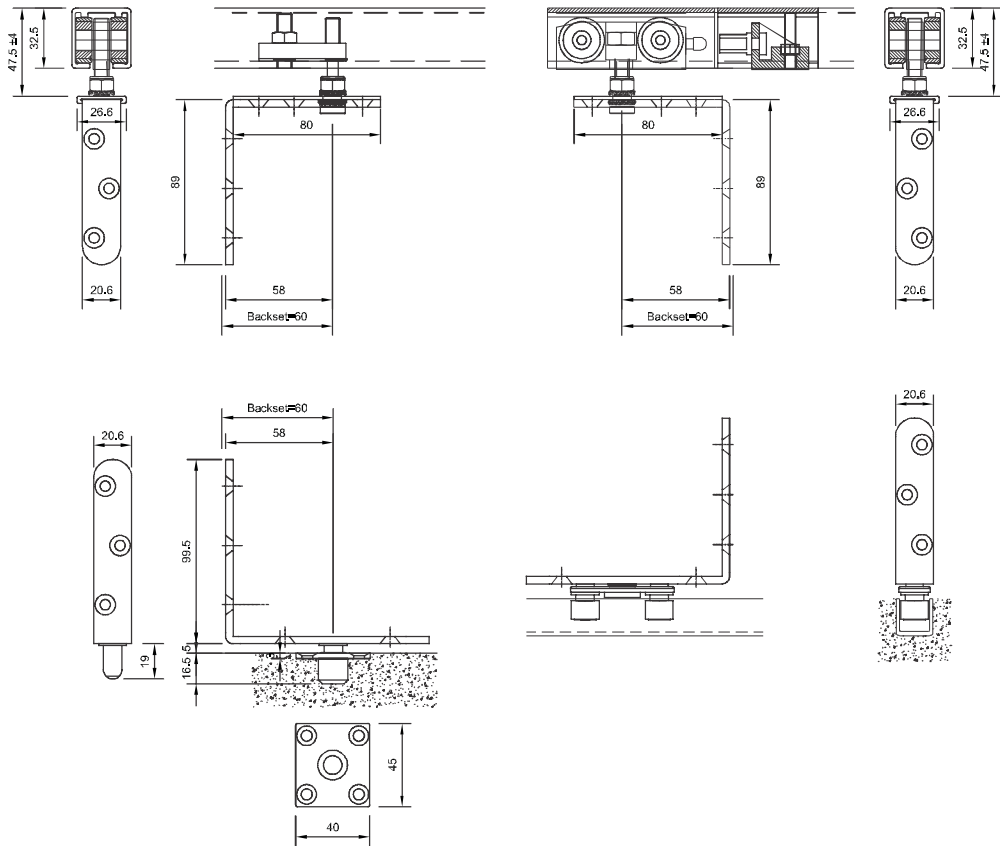
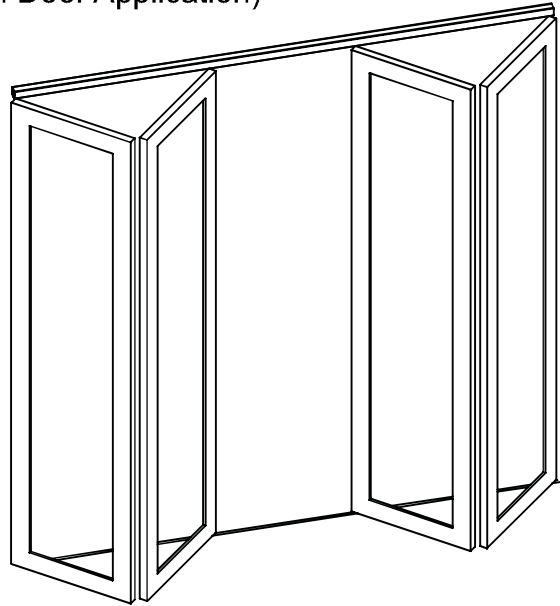
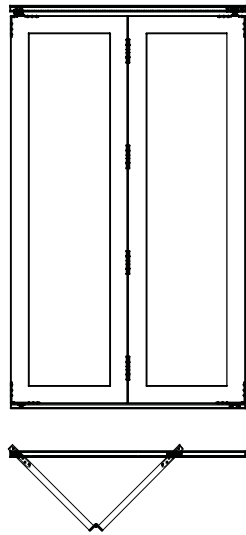
Kit contains 2 mtr. track with screws, standard pivot clamps, standard duty roller and single wheel bottom guide

Ordering Code : XL - C 7033 3MBP SFW80

Reference Code : 9137585 **MRP:Rs.30580/-**

Bi-parting door kit contains 3 mtr track with screws, two sets of standard pivot clamps, standard duty roller and single wheel bottom guide

**Folding & Sliding
Wooden Door
Application**



**Folding & Sliding
Wooden Door
Application**

Heavy Duty Wooden Folding Sliding - SF2

- Max 120 kg/System
- 30 - 40 mm Shutter Thickness
- Each Shutter weight - Max. 60 kg
- Heavy duty bearing roller & clamp
- Heavy duty track - Satin finish
- Bottom Channel
- Butt Hinges Ref : BB Hinge Spec.
- Hook Lock for Wooden Sliding (Optional)
- Flush pull (Optional)
- Flush bolt (Optional)

Ordering Code : XL - C 7039 3M SFW120

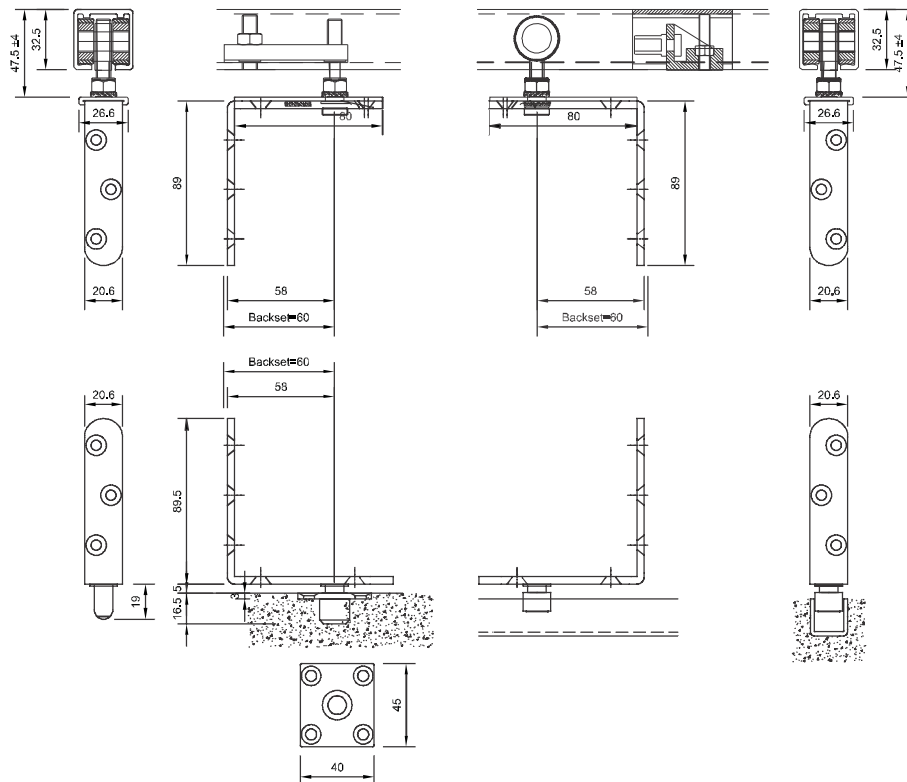
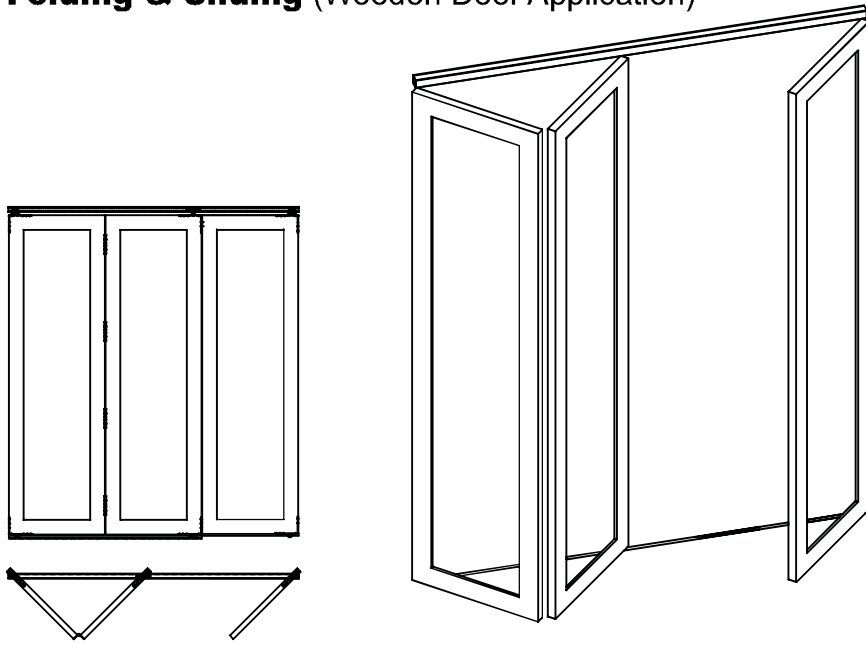
Reference Code : 9137560 MRP:Rs.23095/-

Kit contains 3 mtr track with screws, heavy duty pivot clamp, heavy duty roller and double wheel bottom guide

Ordering Code : XL - C 7034 4MBP SFW120

Reference Code : 9137586 MRP:Rs.40585/-

Bi-parting door kit contains 4 mtr track with screws, heavy duty pivot clamp, heavy duty roller and double wheel bottom guide



Standard Wooden Folding Sliding - SF3

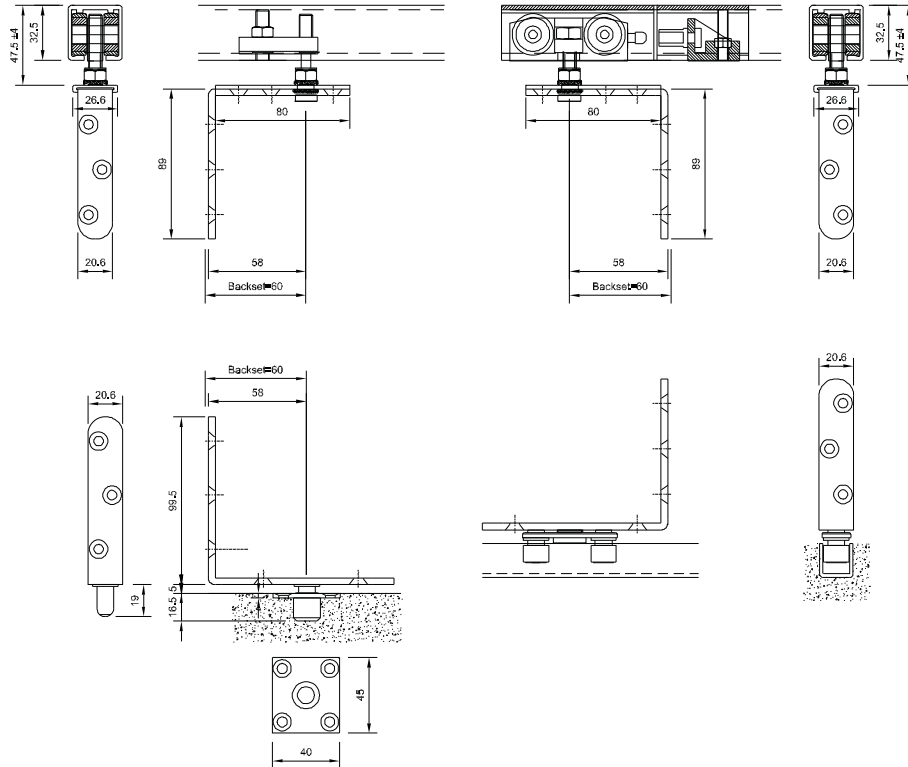
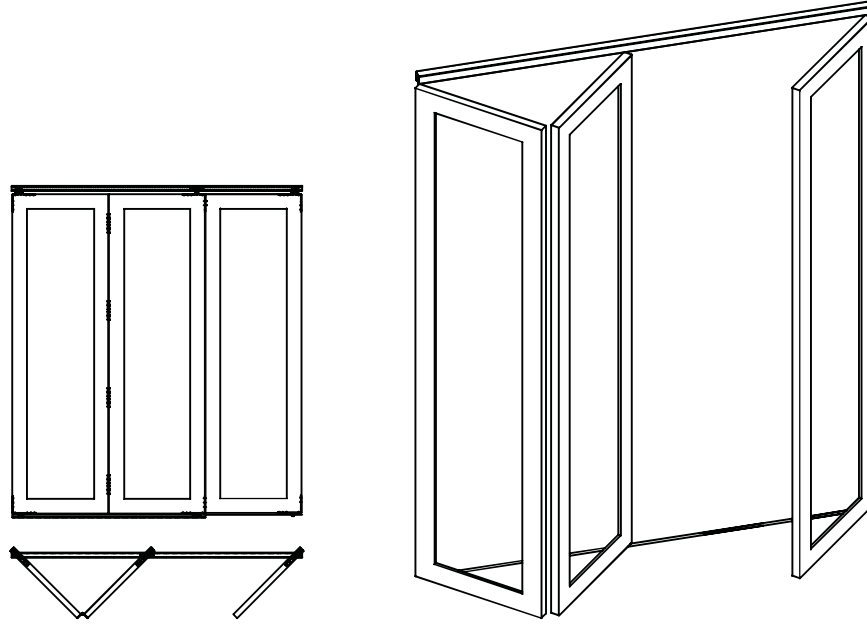
- Max 80 kg/System
- 30 - 34 mm Shutter Thickness
- Each Shutter weight - Max. 40 kg
- Standard duty bearing roller & clamp
- Heavy duty track - Satin finish
- Bottom Channel
- Butt Hinges (Optional) Ref: BB hinge Spec.
- Hook Lock for Wooden Sliding (Optional)
- Flush pull (Optional)
- Flush bolt (Optional)

Ordering Code : XL - C 7040 3M SFW80

Reference Code : 9137562 **MRP:Rs.27515/-**

Kit contains 3 mtr track with screws, standard duty pivot clamps, standard roller and single wheel bottom guide

**Folding & Sliding
Wooden Door
Application**



**Folding & Sliding
Wooden Door
Application**

Heavy Duty Wooden Folding Sliding - SF4

- Max 120 kg/System
- 30 - 40 mm Shutter Thickness
- Each Shutter weight - Max. 60 kg
- Heavy duty bearing roller & clamp
- Heavy duty track - Satin finish
- Bottom Channel
- Butt Hinges (Optional) Ref : BB Hinge Spec.
- Hook Lock for Wooden Sliding (Optional)
- Flush pull (Optional)
- Flush bolt (Optional)

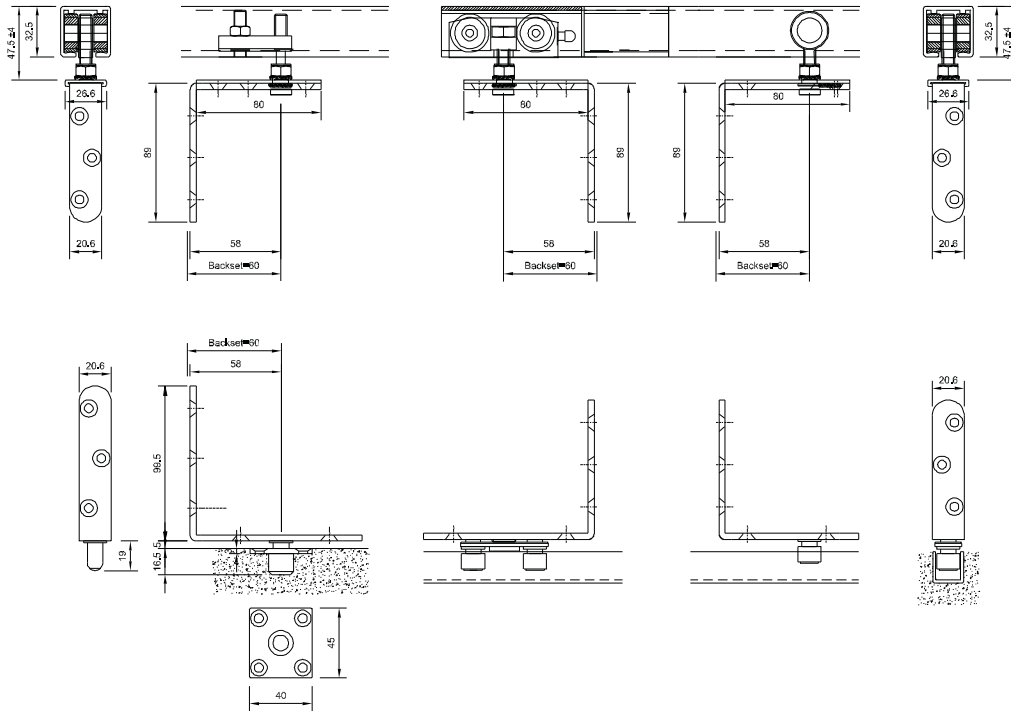
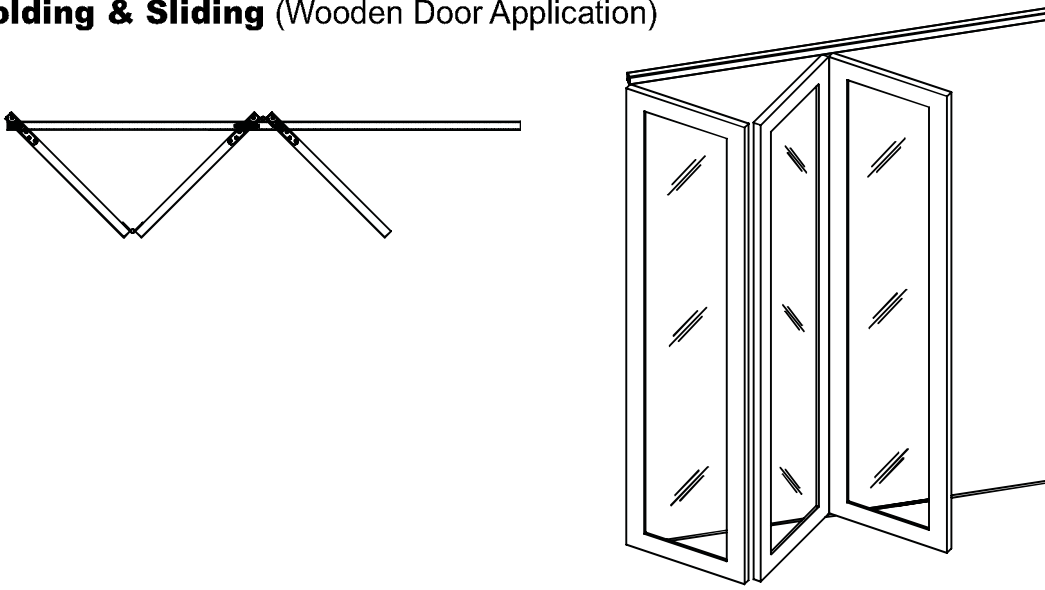
Ordering Code : XL - C 7015 3M SFW120

Reference Code : 9137561 **MRP:Rs.30415/-**

Kit contains 3 mtr. track with screws, heavy duty pivot clamp, heavy duty roller and double wheel bottom guide

Folding & Sliding (Wooden Door Application)

DORMA XL - C®



Standard Wooden Folding Sliding - SF5

- Max 80 kg/System
- 30 - 34 mm Shutter Thickness
- Each Shutter weight - Max. 40 kg
- Standard duty bearing roller & clamp
- Heavy duty Track - Satin finish
- Bottom Channel
- Butt Hinges (Optional) Ref: BB Hinge Spec.
- Hook Lock for Wooden Sliding (Optional)
- Flush pull (Optional)
- Flush bolt (Optional)

Ordering Code : XL - C 7030 3M SFW80

Reference Code : 9101331 **MRP:Rs.27515/-**

Kit contains 3 mtr. track with screws, standard duty pivot clamps, two wheel rollers and single wheel bottom guide

Heavy Duty Wooden Folding Sliding - SF6

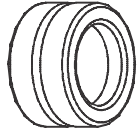
- Max 120 kg/System
- 30 - 40 mm Shutter Thickness
- Each Shutter weight - Max. 60 kg
- Heavy duty bearing roller & clamp
- Heavy duty Track - Satin finish
- Bottom Channel
- Butt Hinges (Optional) Ref: BB Hinge Spec.
- Hook Lock for Wooden Sliding (Optional)
- Flush pull (Optional)
- Flush bolt (Optional)

Ordering Code : XL - C 7031 3M SFW120

Reference Code : 9101332 **MRP:Rs.30415/-**

Kit contains 3 mtr. track with screws, heavy duty pivot clamps, four wheel rollers and double wheel bottom guide

**Folding &
Sliding
Wooden Door
Application**

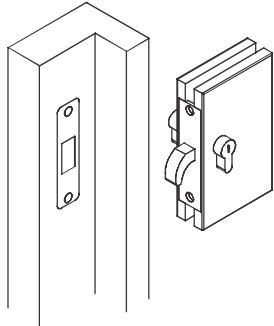


Circular Flush Pull
Satin Finish
Outer Dia 70mm
Hole Dia 50mm

MRP:Rs.1610/-

Ordering Code : XL - C 7018

Reference Code : 9138056

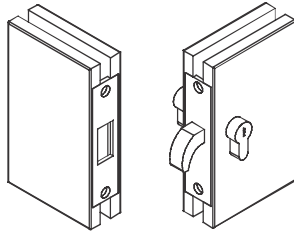


Hook Lock for Glass Sliding
Glass to Wall or Wood

Ordering Code : XL - C 7019

Reference Code : 9138057

MRP:Rs.12570/-

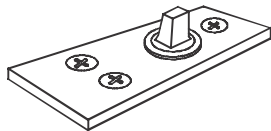


Hook Lock for Glass Sliding
Glass to Glass with Strike box

Ordering Code : XL - C 7121

Reference Code : 9138059

MRP:Rs.18855/-

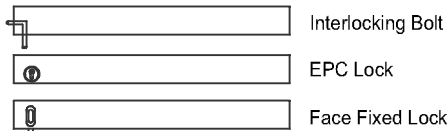
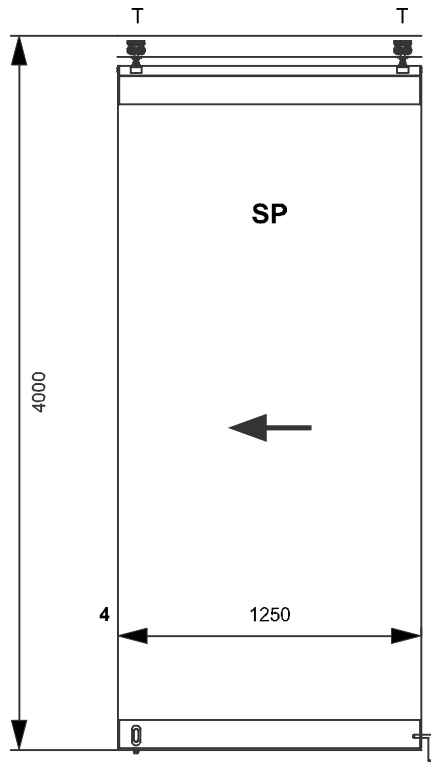


Floor Pivot Bearing

Ordering Code : XL - C 4015A

Reference Code : 9137574

MRP:Rs.2415/-



Features *

- Max Height upto 4000 mm
- Max Width of 1250 mm/Panel
- Max weight of 150 kg for Sliding panel
- Max weight of 150 kg for Swing Door
- Brush seals on top
- Can be integrated with Floor Spring
- 10 mm / 12 mm glass Thickness
- Face Fixed Lock / EPC / Interlocking Bolt
- Parking panels using various options
- Can be Integrated using LM Profile / Neoprene seal / Line profile / Rubber seal

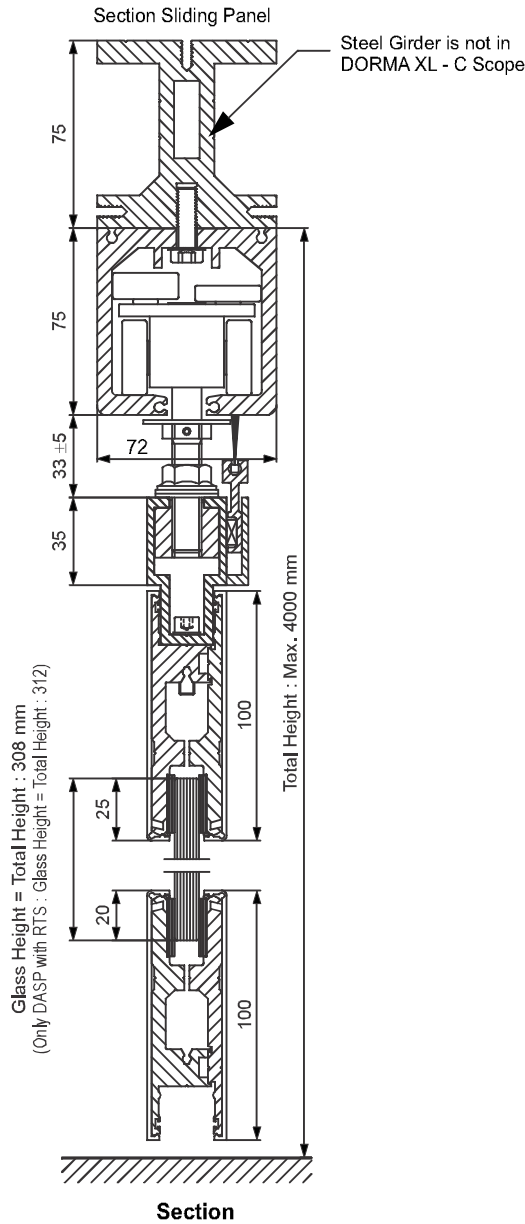
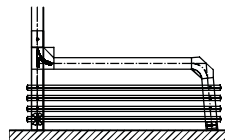
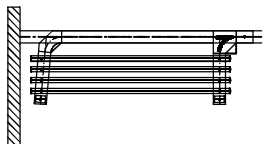
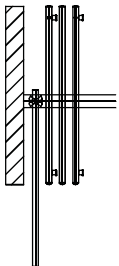
**** Zero Parking**

- Max Height upto 2400 mm
- Max Width of 1000 mm/Panel
- Max weight of 70 kg for Sliding panel

*****"Zero" Parking**

Parallel Parking

Perpendicular Parking



* Product on RFQ basis

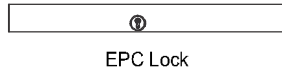
Ordering Code : XL - C 7016

- Optional Seals :**
- Clipping on glass**
 1. LM Profile
 2. Neoprene Seal
 - Fixing on Rail**
 1. Line Profile
 - Bottom Seal**
 1. Rubber Seal

Quote on Request Basis*

Horizontal Sliding Wall (HSW)

Horizontal Sliding Wall (Wood)

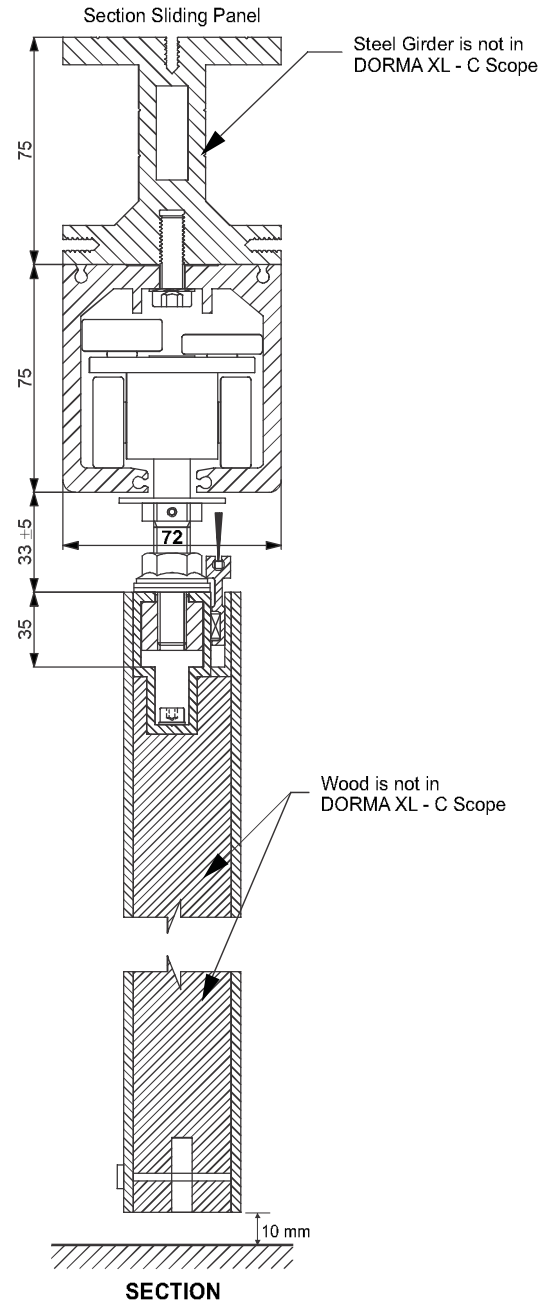


Features *

- Max Height upto 3000 mm
- Max Width of 1000 mm/Panel
- Max weight of 100 kg for Sliding panel
- Max weight of 100 kg for Swing Door
- Brush seals on top
- Can be integrated with Floor Spring
- Minimum Wood Thickness 50 mm
- EPC Lock 60 mm
- Parking panels using various options

**** Zero Parking**

- Max Height upto 2400 mm
- Max Width of 1000 mm/Panel
- Max weight of 70 kg for Sliding panel



* Product on RFQ basis

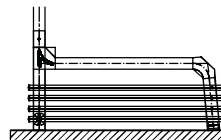
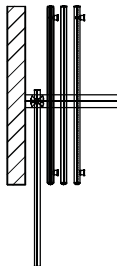
Ordering Code : XL - C 7016

Horizontal Sliding Wall (HSW)

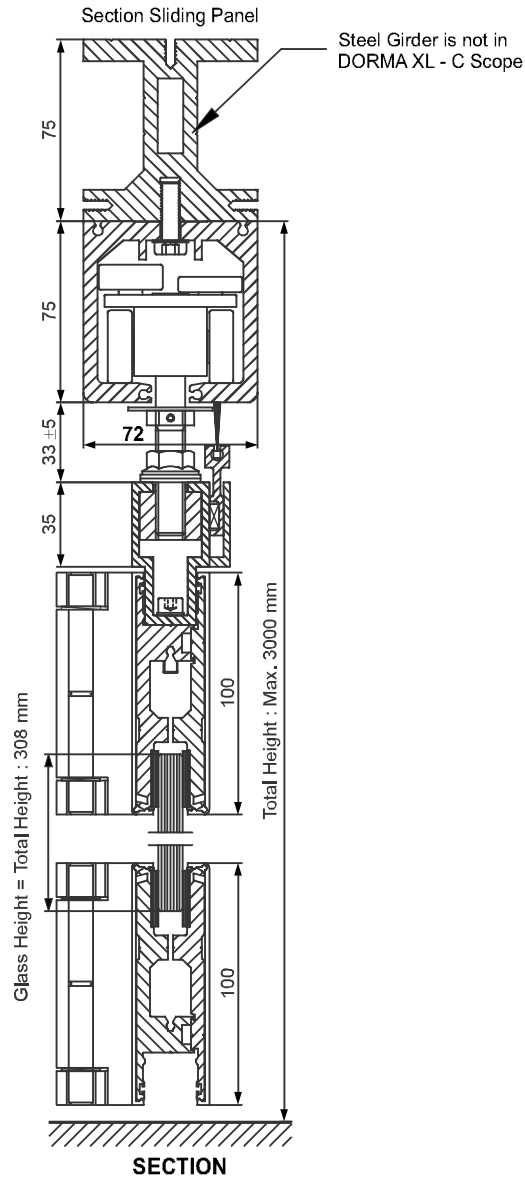
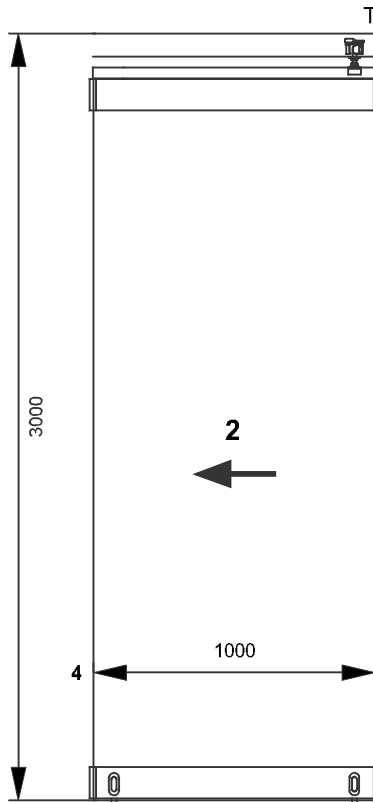
*****"Zero" Parking**

Parallel Parking

Perpendicular Parking



Quote On Request Basis*



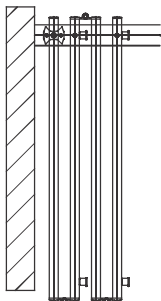
Features* of 100 mm FSW

- Max Height upto 3000 mm
- Max Width of 1000 mm/Panel
- Max weight of 70 kg for sliding panel
- Brush seals on top
- 10 mm / 12 mm glass thickness
- Floor mount locking using EPC / FB
- Parking panels with G type
- Can be Integrated using LM / Clear Profile / Rubber seal

* Product on RFQ basis

Ordering Code : XL - C 7017

Parking

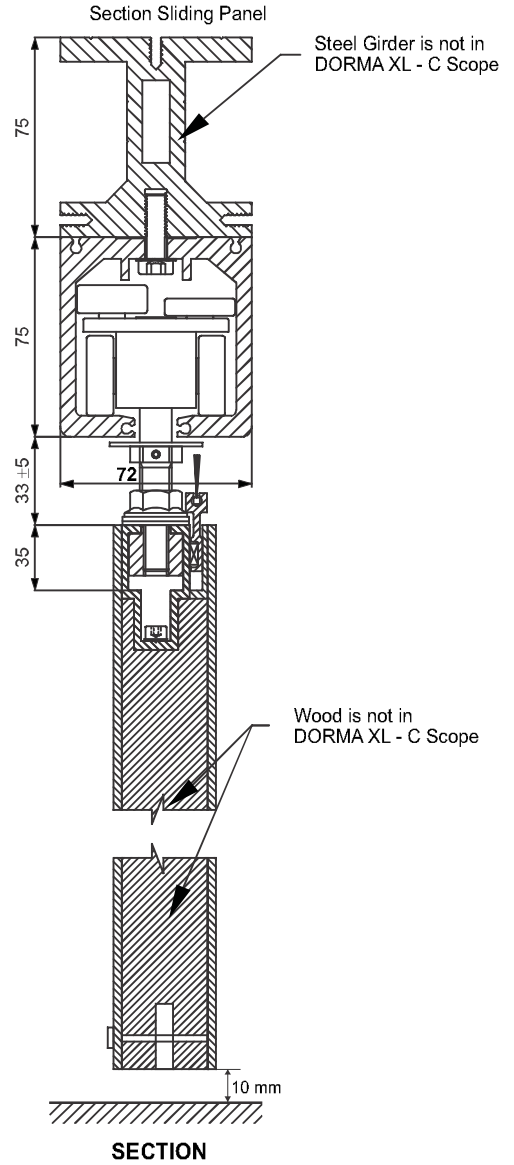
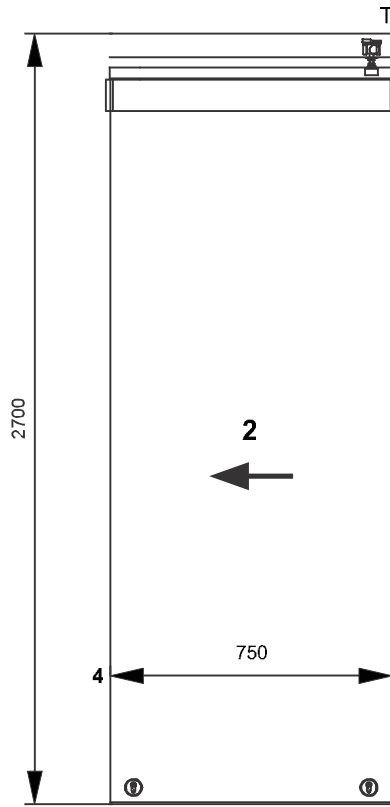


Optional Seals :
Clipping on glass
 1. LM Profile
 2. Neoprene Seal
Bottom Seal
 1. Rubber Seal

Prices on Request Basis*

Folding Sliding Wall (FSW)

Folding Sliding Wall (G) Wood



Features* of 100 mm FSW

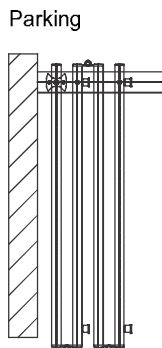
- Max Height upto 2700 mm
- Max Width of 750 mm/Panel
- Max weight of 50 kg for sliding panel
- Brush seals on top
- Minimum Wood Thickness 50 mm
- EPC Lock 60 mm
- Parking panels with G type

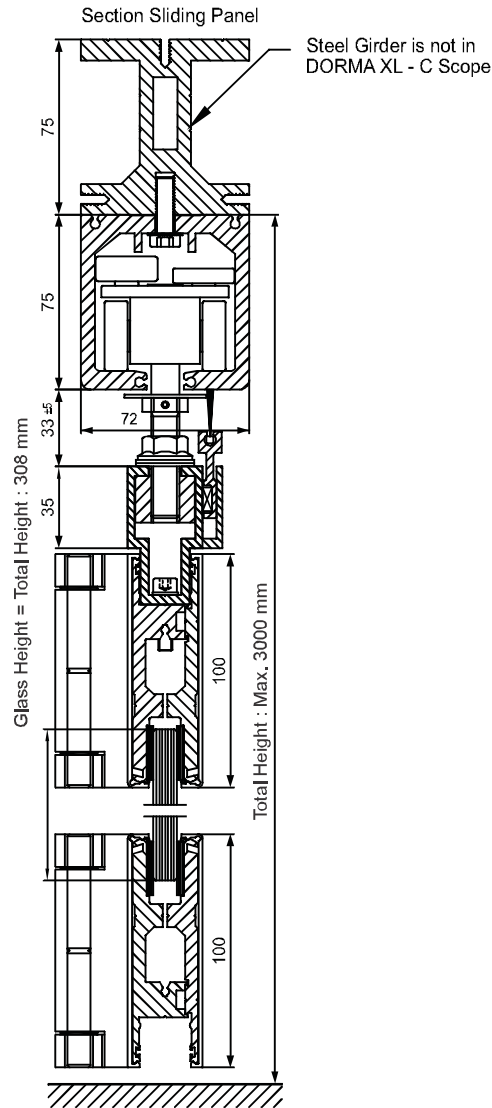
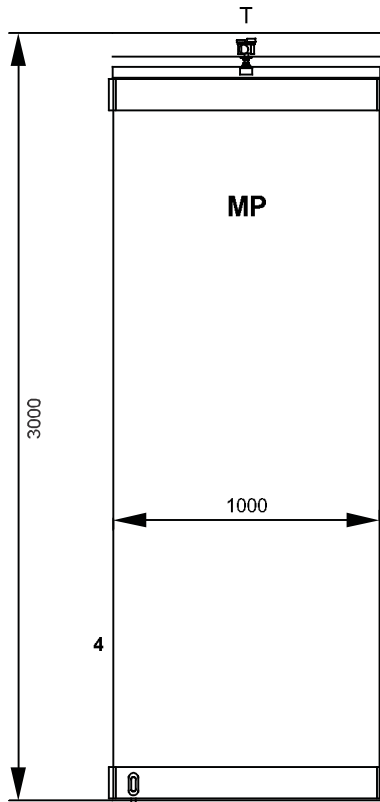
* Product on RFQ basis

Ordering Code : XL - C 7017

Prices on Request Basis*

Folding Sliding Wall (FSW)





SECTION

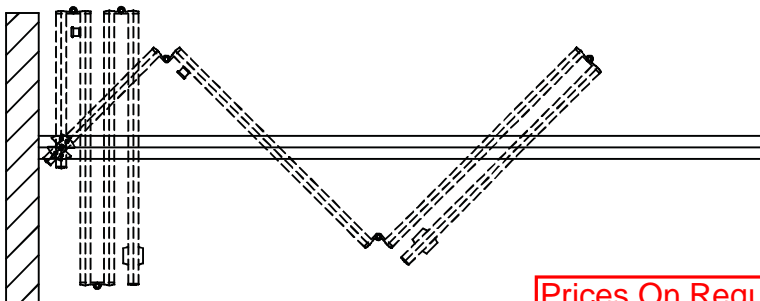
Features* of 100 mm FSW

- Max Height upto 3000 mm
- Max Width of 1000 mm/Panel
- Max weight of 70 kg for sliding panel
- Brush seals on top
- 10 mm / 12 mm glass Thickness
- Floor mount locking using EPC / FB
- Parking panels with C type
- Can be Integrated using LM / Clear Profile / Rubber seal

* Product on RFQ basis

Ordering Code : XL - C 7017

Parking

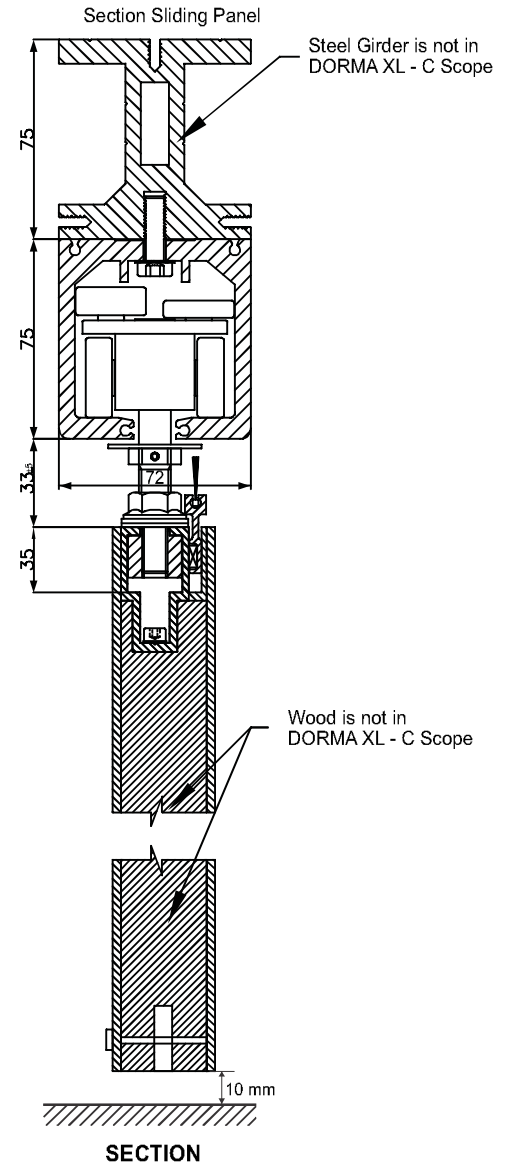
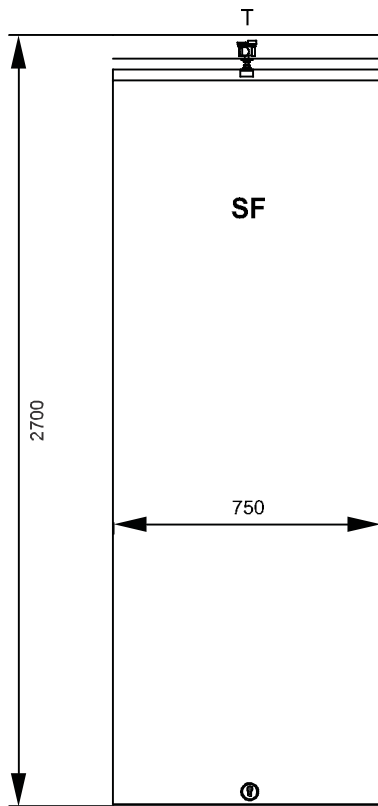


- Optional Seals :**
- Clipping on glass**
1. LM Profile
 2. Neoprene Seal
- Bottom Seal**
1. Rubber Seal

Prices On Request Basis*

**Folding
Sliding Wall
(FSW)**

Folding Sliding Wall (C) Wood



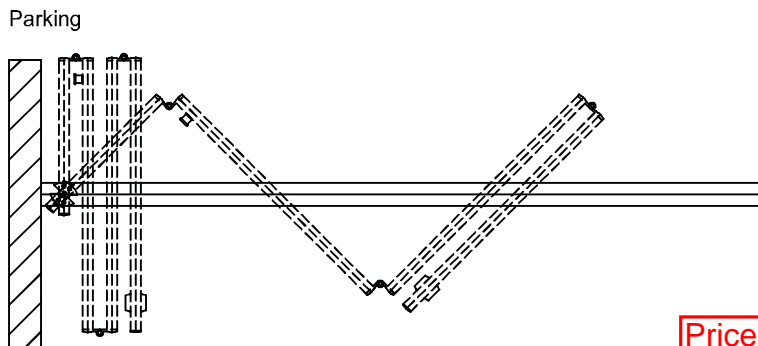
Features* of 100 mm FSW

- Max Height upto 2700 mm
- Max Width of 750 mm/Panel
- Max weight of 50 kg for sliding panel
- Brush seals on top
- Minimum Wood Thickness 50 mm
- EPC Lock 60 mm
- Parking panels with C type

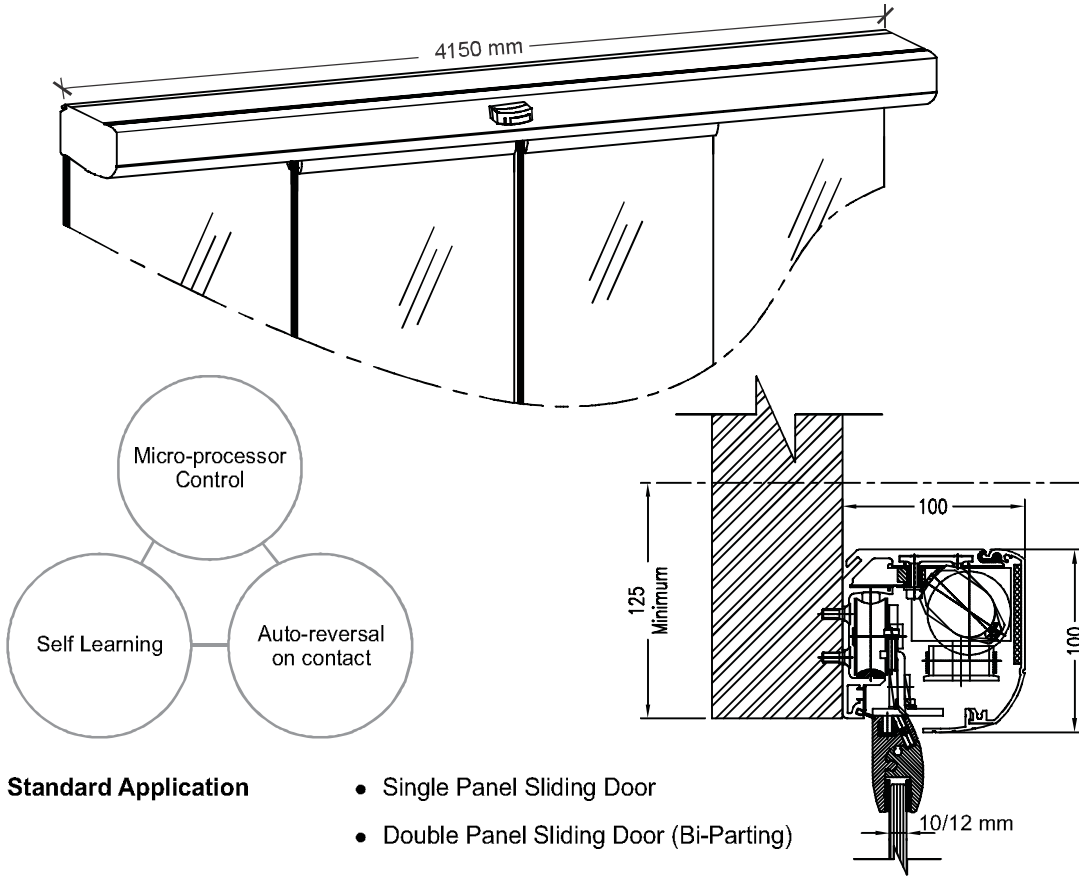
* Product on RFQ basis

Ordering Code : XL - C 7017

Folding Sliding Wall (FSW)



Prices On Request Basis*



Standard Application

- Single Panel Sliding Door
- Double Panel Sliding Door (Bi-Parting)

| | |
|-----------------------------|---|
| Clear Passage Width | : Single Sliding = Min. 800 - Max. 1200 mm Double Sliding = Min. 1000 - Max. 2000 mm |
| Clear Passage Height | : 2400 mm (Recommended) |
| Max. Door Weight | : Single Sliding = 1 x 100 Kgs. Double Sliding = 2 x 85 Kgs. |
| Activator Options | : RADAR Sensor Pushbutton Hand held Transmitter / Receiver (Remote Control) |
| Program Switch Modes | : Off Automatic Permanent Open, Partial Open, Exit Only |
| Power Supply Data | : 230 VAC, 50/60 Hz (Mandatory UPS / Stabilized Supply) |
| Opening Speed | : 10 to 50 cm/sec (Incrementally Adjustable) |
| Closing Speed | : 10 to 40 cm/sec (Incrementally Adjustable) |
| Hold Open Time | : 0.5 to 30 sec (Incrementally Adjustable) |
| Operator Mounting | : Only Face Mounted |
| Standard set of Accessories | : Radar (2 Nos) Light Barrier (1 No) Program Switch with Knob (1 No) |

MRP:Rs.145890/-

Ordering Code : XL - C 4100

Reference Code : 9101324

Ordering Code : XL - C 4118

Auto sliding door without Radar

Reference Code : 9100631

Ordering Code : XL - C 4120

Auto sliding door for Aluminium / Wooden Door

Reference Code : 9101295 **MRP:Rs.129485/-**

Ordering Code : XL - C 4114

Reference Code : 9101289

MRP:Rs.163090/-

Glass Mounting Application for XL - C 4114

XL - C 4100 with Back Plate,

XL - C 4115* : Special Manet Fixed - 12 mm Glass

XL - C 4116* : Special Manet Flexible - 12 mm Glass
to be used for installation

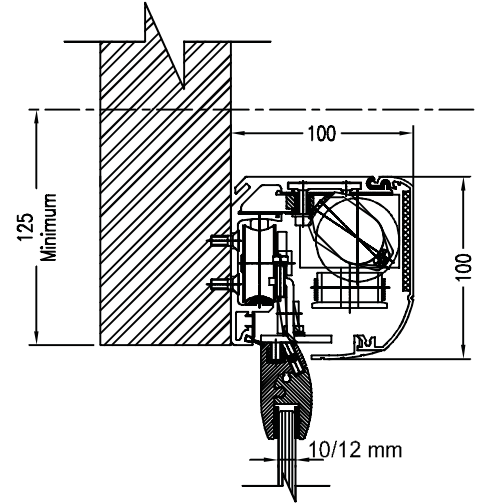
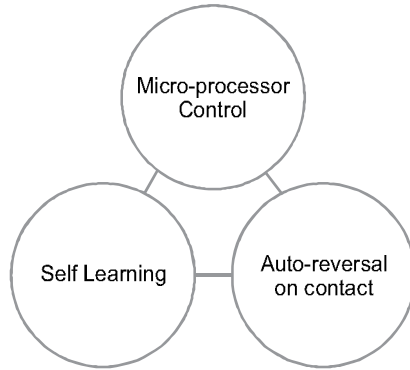
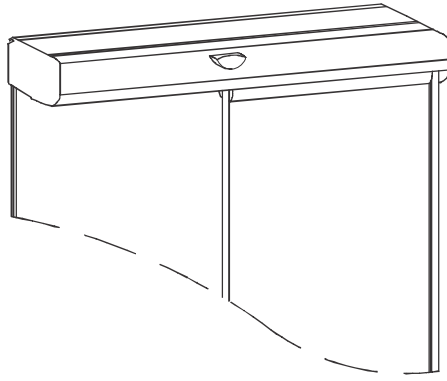
*XL - C 4115 & XL - C 4116 please request for price

**9100841 /Dorma
XL-C 4200
Automatic Sliding
Door Operator
MRP :Rs.122,565/-
(*Recommended
for Maximum
Height : 2100MM X
width : 2000MM /
Standard
Application)**

**Automatic
Sliding Door
Operator**

**9100631/ Dorma 4118
Automatic Sliding
without Radars /
MRP :Rs.132450/-**

Single Door Automatic Sliding



Standard Application

- Single Panel Sliding Door

| | |
|-----------------------------|---|
| Clear Passage Width | : Single Sliding = Min. 800 - Max. 1000 mm |
| Clear Passage Height | : 2400 mm (Recommended) |
| Max. Door Weight | : Single Sliding = 1 x 100 Kgs. |
| Activator Options | : RADAR Sensor Pushbutton Hand held Transmitter / Receiver (Remote Control) |
| Program Switch Modes | : Off Automatic Permanent Open, Partial Open, Exit Only |
| Power Supply Data | : 230 VAC, 50/60 Hz (Mandatory UPS / Stabilized Supply) |
| Opening Speed | : 10 to 50 cm/sec (Incrementally Adjustable) |
| Closing Speed | : 10 to 40 cm/sec (Incrementally Adjustable) |
| Hold Open Time | : 0.5 to 30 sec (Incrementally Adjustable) |
| Operator Mounting | : Only Face Mounted |
| Standard set of Accessories | : Radar (2 Nos) Light Barrier (1 No) Program Switch with Knob (1 No) |

**Automatic
Sliding Door
Operator**

MRP:Rs.128495/-

Ordering Code : XL - C 4101

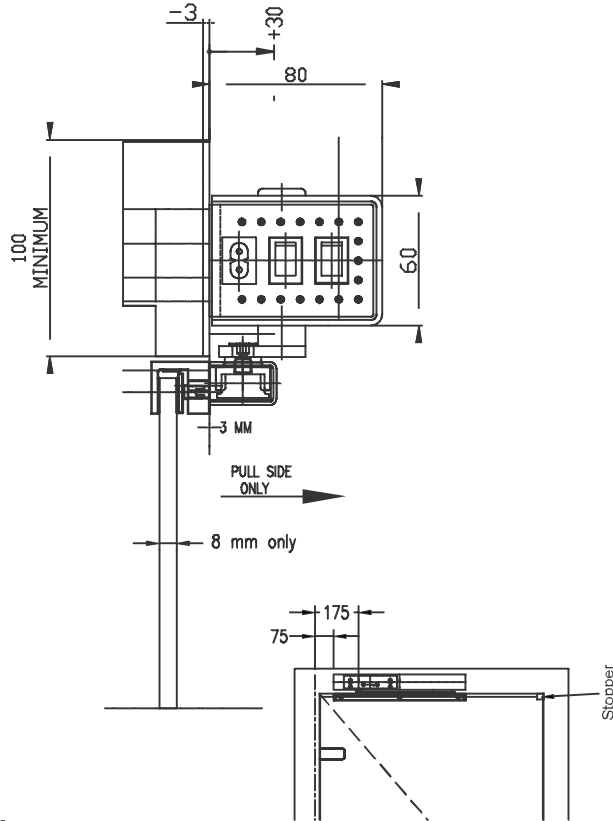
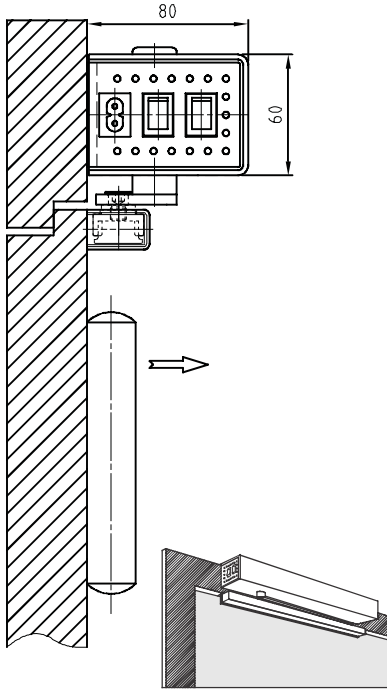
Reference Code : 9101317

Automatic Swing Door Assistant (for Internal Doors only)

DORMA XL - C®

XL - C 4300

XL - C 4600



- Door Leaf Width : ≤ 1100 mm
- Door Leaf Weight : 1 x 100 Kgs.
- Door Leaf Height : Function of Door Weight
- Operator Dimension : Height 60 mm x Width 530 mm x Depth 80 mm
- Activator Options : RADARS
Push & Go
Pushbutton
Hand held Transmitter / Receiver (Remote Control)
- Program Switch Modes : Off
Power Motion
Permanent Open
- Power Supply Data : 230 VAC, 50/60 Hz (Mandatory UPS / Stabilized Supply)
- Opening Time (0° - 90°) : 5 to 10 sec (Adjustable)
- Closing Time (90° - 0°) : 5 to 10 sec (Adjustable)
- Hold Open Time : 5 to 30 sec (Adjustable)
- Opening Angle : Maximum 110°

Accessories to be ordered separately (Ref. Page No.64)

Wooden / Aluminium Door Application
for **XL - C 4300**

Ordering Code : **XL - C 4300**

Reference Code : **9101326**

MRP:Rs.127740/-

Frameless Glass Application
for **XL - C 4600**

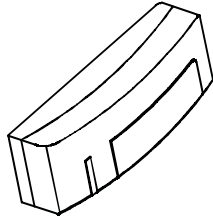
XL - C 4300 with Saddle Plate and IGD Hinges

Ordering Code : **XL - C 4600**

Reference Code : **9101340**

MRP:Rs.159915/-

**Automatic
Swing Door
Assistant**

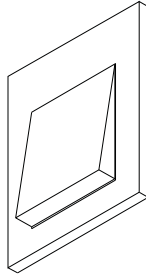


RADAR for
XL - C 4300
XL - C 4600

Ordering Code : DORMA XL - C 4102 A

Reference Code : 9101328

MRP: Rs.6805/-

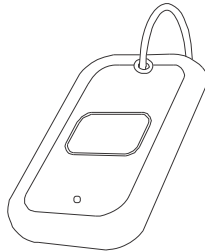


Push Button for
XL - C 4100
XL - C 4101
XL - C 4300
XL - C 4600
XL - C 4114
XL - C 4118
XL - C 4120

Ordering Code : DORMA XL - C 4103 A

Reference Code : 9101329

MRP:Rs.6915/-

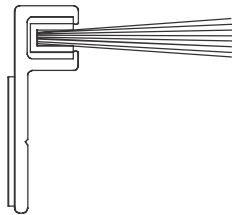


Hand held
 Transmitter / Receiver
 (Remote Control) for
XL - C 4100
XL - C 4101
XL - C 4300
XL - C 4600
XL - C 4114
XL - C 4118
XL - C 4120

Ordering Code : XL - C 4104

Reference Code : 9101339

MRP:Rs.20270/-

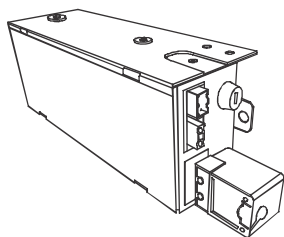


Brush profile = 3 mtrs for
XL - C 4100
XL - C 4101
XL - C 4114
XL - C 4118
XL - C 4120

Ordering Code : XL - C 4105

Reference Code : 9101341

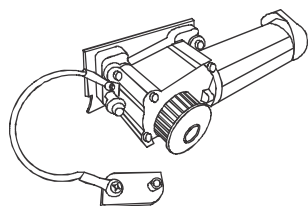
MRP :Rs.6470/-



Control Unit
Assembly for
XL - C 4100
XL - C 4101
XL - C 4114
XL - C 4118
XL - C 4120

Ordering Code : XL - C 4106
Reference Code : 9101281

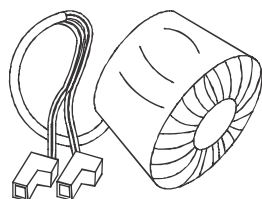
MRP:Rs.44345/-



Motor Assembly for
XL - C 4100
XL - C 4101
XL - C 4114
XL - C 4118
XL - C 4120

Ordering Code : XL - C 4107
Reference Code : 9101282

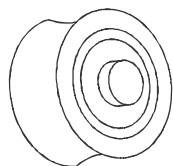
MRP:Rs.46765/-



Toroidal
Transformer for
XL - C 4100
XL - C 4101
XL - C 4114
XL - C 4118
XL - C 4120

Ordering Code : XL - C 4108
Reference Code : 9101283

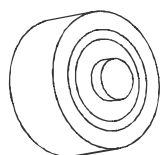
MRP:Rs.7725/-



Main Roller
Assembly for
XL - C 4100
XL - C 4101
XL - C 4114
XL - C 4118
XL - C 4120

Ordering Code : XL - C 4109
Reference Code : 9101284

MRP:Rs.2205/-

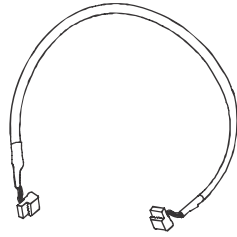


Counter Roller
Assembly for
XL - C 4100
XL - C 4101
XL - C 4114
XL - C 4118
XL - C 4120

Ordering Code : XL - C 4110
Reference Code : 9101285

MRP:Rs.1595/-

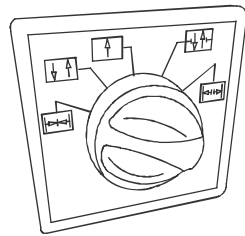
**Automatic
Door
Accessories**



Encoder Cable
450 mm for
XL - C 4100
XL - C 4101
XL - C 4114
XL - C 4118
XL - C 4120

Ordering Code : **XL - C 4111**
Reference Code : **9101286**

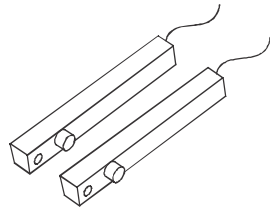
MRP:Rs.4180/-



Five Position
Program Switch for
XL - C 4100
XL - C 4101
XL - C 4114
XL - C 4118
XL - C 4120

Ordering Code : **XL - C 4112**
Reference Code : **9101287**

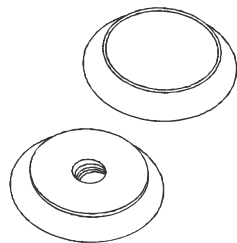
MRP:Rs.1855/-



Light Barrier for
XL - C 4100
XL - C 4101
XL - C 4114
XL - C 4118
XL - C 4120

Ordering Code : **XL - C 4113**
Reference Code : **9101288**

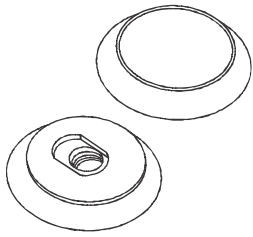
MRP:Rs.6810/-



Special Manet Fixed
for 12 mm Glass

Ordering Code : **XL - C 4115**
Reference Code : **9101290**
To be used alongwith **XL - C 4114**

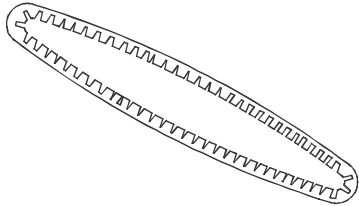
MRP:Rs.1840/-



Special Manet
Flexible
for 12 mm Glass

Ordering Code : XL - C 4116
Reference Code : 9101291
To be used alongwith XL - C 4114

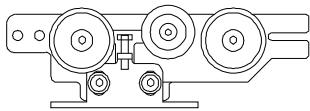
MRP:Rs.4690/-



Timer Belt for
XL - C 4100
XL - C 4101
XL - C 4114
XL - C 4118
XL - C 4120

Ordering Code : XL - C 4117
Reference Code : 9101293

MRP:Rs.8520/-



Carrier Head Assembly for
XL - C 4100
XL - C 4101
XL - C 4114
XL - C 4118
XL - C 4120

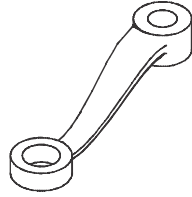
Ordering Code : XL - C 4119
Reference Code : 9101294

MRP:Rs.8330/-

**DORMA XL-C 4121 RC TRANSMITTER (Article Number : 9100147)
: MRP :RS.7385/-.**

**DORMA XL-C 4122 RC RECEIVER (Article Number :9100148) :
MRP :Rs.12295/-.**

**FLOOR GUIDE FOR FRAMED ALUMINIUM DOOR (Article Number :
92212007) : MRP :Rs.5755/-.**

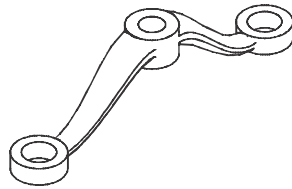
Spiders**1 Arm Non Fin Type Spider****Ordering Code : XL - C 6026****Reference Code : 9140777****MRP:Rs.3215/-**

Finish : Electro Polished

Material : SS 316

Maximum Facade Thickness : 15 mm

This fitting is recommended for a height up to 6000 mm only. For any further technical advice, please write to rajesh.ohri@dormakaba.com

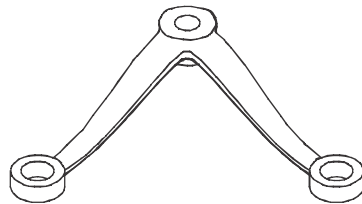
2 Arm 180° Non Fin Type Spider**Ordering Code : XL - C 6027****Reference Code : 9140778****MRP:Rs.4025/-**

Finish : Electro Polished

Material : SS 316

Maximum Facade Thickness : 15 mm

This fitting is recommended for a height up to 6000 mm only. For any further technical advice, please write to rajesh.ohri@dormakaba.com

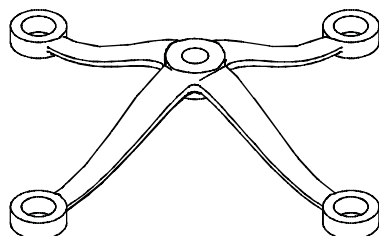
2 Arm 90° Non Fin Type Spider**Ordering Code : XL - C 6028****Reference Code : 9140779****MRP:Rs.4775/-**

Finish : Electro Polished

Material : SS 316

Maximum Facade Thickness : 15 mm

This fitting is recommended for a height up to 6000 mm only. For any further technical advice, please write to rajesh.ohri@dormakaba.com

4 Arm Non Fin Type Spider**Ordering Code : XL - C 6029****Reference Code : 9140780****MRP:Rs.6745/-**

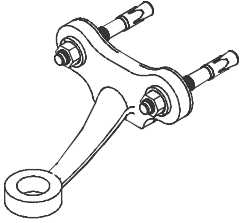
Finish : Electro Polished

Material : SS 316

Maximum Facade Thickness : 15 mm

This fitting is recommended for a height up to 6000 mm only. For any further technical advice, please write to rajesh.ohri@dormakaba.com

1 Arm Fin Type Spider



Application : Facade to wall

Ordering Code : XL - C 6030

Reference Code : 9140764

MRP:Rs.3215/-

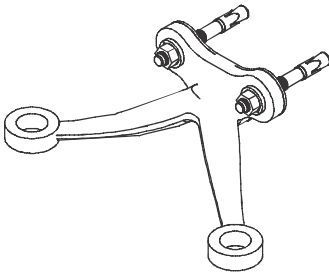
Finish : Electro Polished

Material : SS 316

Maximum Facade Thickness : 15 mm

This fitting is recommended for a height up to 6000 mm only. For any further technical advice, please write to rajesh.ohri@dormakaba.com

2 Arm 90° Fin Type Spider



Application : Facade to wall

Ordering Code : XL - C 6031

Reference Code : 9140765

MRP:Rs.4775/-

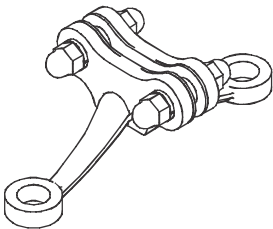
Finish : Electro Polished

Material : SS 316

Maximum Facade Thickness : 15 mm

This fitting is recommended for a height up to 6000 mm only. For any further technical advice, please write to rajesh.ohri@dormakaba.com

2 Arm 180° Fin Type Spider



Application : Fin to Façade

Ordering Code : XL - C 6032

Reference Code : 9140766

MRP:Rs.5650/-

Finish : Electro Polished

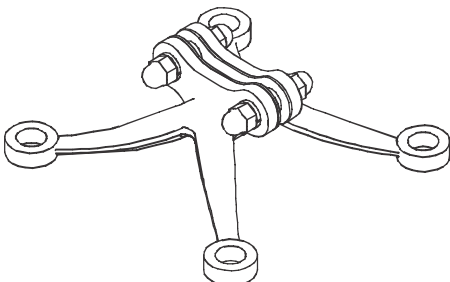
Material : SS 316

Maximum Facade Thickness : 15 mm

Maximum Fin Thickness : 19.52 mm

This fitting is recommended for a height up to 6000 mm only. For any further technical advice, please write to rajesh.ohri@dormakaba.com

4 Arm Fin Type Spider



Application : Fin to Façade

Ordering Code : XL - C 6033

Reference Code : 9140767

MRP:Rs.8045/-

Finish : Electro Polished

Material : SS 316

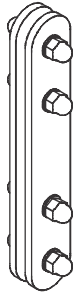
Maximum Facade Thickness : 15 mm

Maximum Fin Thickness : 19.52 mm

This fitting is recommended for a height up to 6000 mm only. For any further technical advice, please write to rajesh.ohri@dormakaba.com

Spiders

Splice Plate



MRP:Rs.10305/-

Application : Splice Plate

Ordering Code : XL - C 6034

Reference Code : 9140770

Size : 300 mm x 50 mm x 8 mm

Finish : Polished

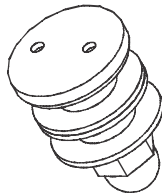
Material : SS 316

Max. Fin Thickness : 19.52 mm

Max. Fin Width : 400 mm

This fitting is recommended for a height up to 6000 mm only. For any further technical advice, please write to rajesh.ohri@dormakaba.com

Fixed Bolt



MRP:Rs.1080/-

Ordering Code : XL - C 6035

Reference Code : 9140771

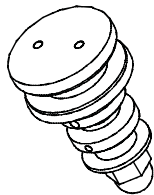
Finish : Electro Polished

Material : SS 316

Max. Facade Thickness : 15 mm

This fitting is recommended for a height up to 6000 mm only. For any further technical advice, please write to rajesh.ohri@dormakaba.com

Articulated Bolt



MRP:Rs.2540/-

Ordering Code : XL - C 6036

Reference Code : 9140772

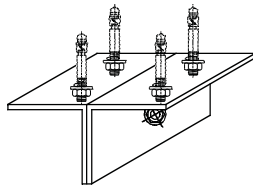
Finish : Electro Polished

Material : SS 316

Max. Facade Thickness : 15 mm

This fitting is recommended for a height up to 6000 mm only. For any further technical advice, please write to rajesh.ohri@dormakaba.com

Facade Bracket



MRP:Rs.5795/-

Ordering Code : XL - C 6037

Reference Code : 9140768

Size : 150 mm x 100 mm x 8 mm (Pair)

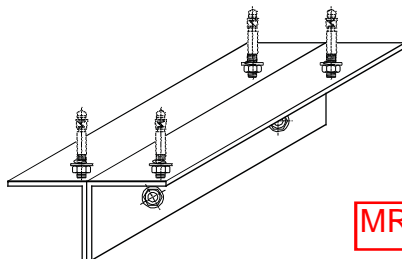
Finish : NiCr Plated

Material : MS/NiCr

Max. Facade Thickness : 15 mm

This fitting is recommended for a height up to 6000 mm only. For any further technical advice, please write to rajesh.ohri@dormakaba.com

Fin Bracket



MRP:Rs.12870/-

Ordering Code : XL - C 6038

Reference Code : 9140769

Size : 350 mm x 100 mm x 10 mm (Pair)

Finish : NiCr Plated

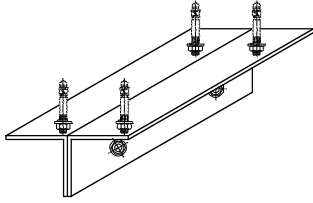
Material : MS/NiCr

Max. Fin Thickness : 19.52 mm

This fitting is recommended for a height up to 6000 mm only. For any further technical advice, please write to rajesh.ohri@dormakaba.com

Spiders

Fin Bracket



Ordering Code : XL - C 6039

Reference Code : 9140013

Size : 300 mm x 100 mm x 8 mm (Pair)

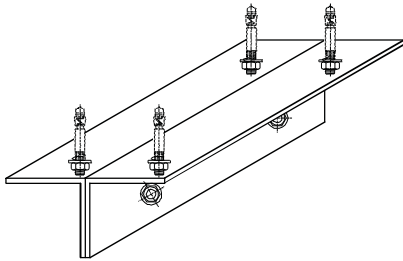
Finish : NiCr Plated **MRP:Rs.8895/-**

Material : MS/NiCr

Max. Fin Thickness :19.52 mm

This fitting is recommended for a height up to 6000 mm only. For any further technical advice, please write to rajesh.ohri@dormakaba.com

Fin Bracket



Ordering Code : XL - C 6040

Reference Code : 9140014

Size : 400 mm x 100 mm x 8 mm (Pair)

Finish : NiCr Plated **MRP:Rs.10535/-**

Material : MS/NiCr

Max. Fin Thickness :19.52 mm

This fitting is recommended for a height up to 6000 mm only. For any further technical advice, please write to rajesh.ohri@dormakaba.com

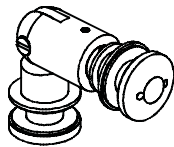
K SERIES SPIDER PRICE LIST

1. 9141063/ XL-C 6126 : 1 Arm Non fin Type K30 Series :MRP :Rs.1230/-.
- *
- 2.9141064/ XL-C 6127 : 2 Arm 180 Degree Non fin Type K30 Series : MRP: 2010/-.
- *
3. 9141065 / XL-C 6129 : 4 Arm Non fin type K30 Series : MRP :Rs.3805/-.
- *
4. 9141067 / XL-C 6130 : 1 Arm Fin type K 30 Series : MRP : Rs.1655/-.
- *
5. 9141069 / XL-C 6132 : 2 Arm 180 Degree Fin type K30 Series : MRP : Rs.4045/-.
- *
6. 9141068/ XL-C 6131 : 2 Arm 90 Degree Fin type K 30 Series : MRP : Rs.2495/-.
- *
7. 9141070 / XL-C 6133 : 4 Arm Fin type K 30 Series : MRP:Rs.5635/-.
- *
8. 9140185 / XL-C 6135 Fixed Bolt K30 Series : MRP : Rs.1080/-.
- *
9. 9140186 / XL-C 6136 Articluated Bolt K 30 Series : MRP : Rs.2540/-

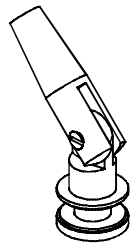
Spiders

Canopy Fittings

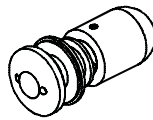
Single Point Canopy System to Glass



Glass to Glass Bottom Connector



Glass to Glass Connector



Glass Top Connector

Application :
Canopy System to Glass / Glass without Rod

Ordering Code : **XL - C 9143**

Reference Code : **9140062**

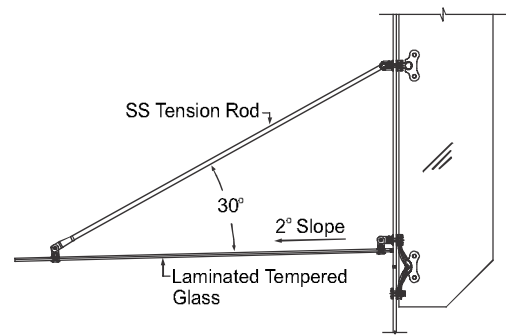
Finish : SS Finish

Material : SS316

Canopy Glass Thickness : 13.52 mm

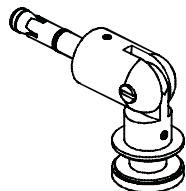
Maximum Glass Panel Size : 1400 x 1400 mm

Note : Tension Rod are available based on Site Dimensions

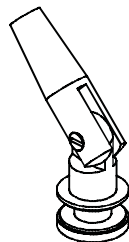


DORMA XL-C 9143 (REFERENCE CODE : 9140062) / CANOPY SYSTEM TO GLASS / GLASS WITHOUT ROD : MRP:Rs.36400/-

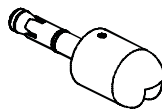
Single Point Canopy System to Wall



Glass to Wall Bottom Connector



Glass Connector



Wall Top Connector

Application :
Canopy System to Glass / Wall without Rod

Ordering Code : **XL - C 9144**

Reference Code : **9140063**

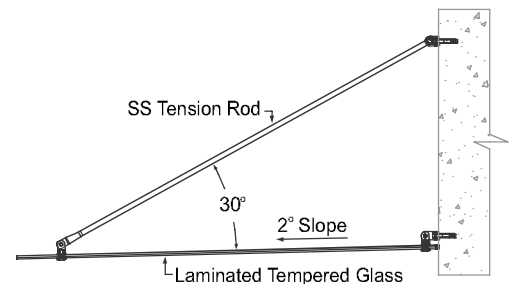
Finish : SS Finish

Material : SS316

Canopy Glass Thickness : 13.52 mm

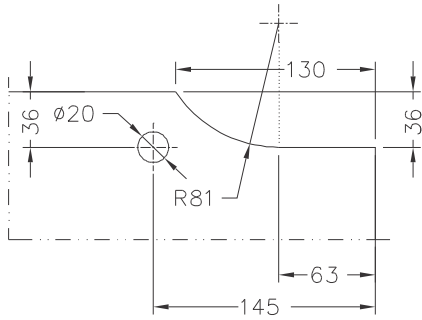
Maximum Glass Panel Size : 1400 x 1400 mm

Note : Tension Rod are available based on Site Dimensions

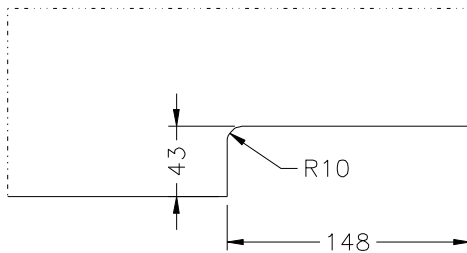


DORMA XL-C 9144 (REFERENCE CODE : 9140063) / CANOPY SYSTEM TO GLASS / WALL WITHOUT ROD : MRP:Rs.36400/-

Top & Bottom Patch (XL - C 4012, XL - C 4013)

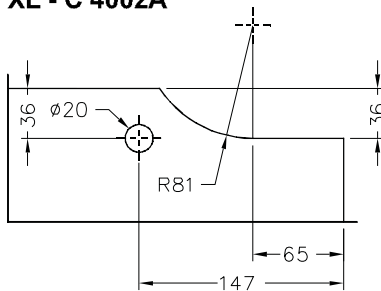


Corner Lock (XL - C 4011A)



Patch Fitting Glass Cut-out

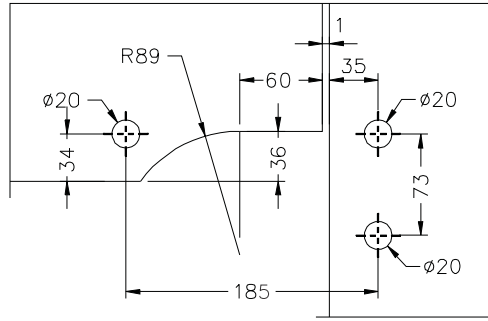
XL - C 4002A



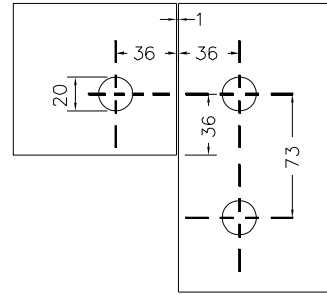
**Cut-out Details
for
Patch Fitting**

Patch Fitting Glass Cut-out

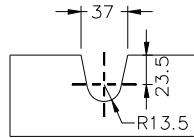
XL - C 4003A



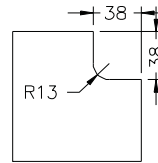
XL - C 4004A



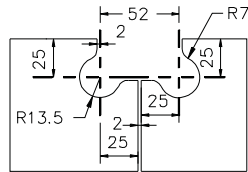
XL - C 4006A



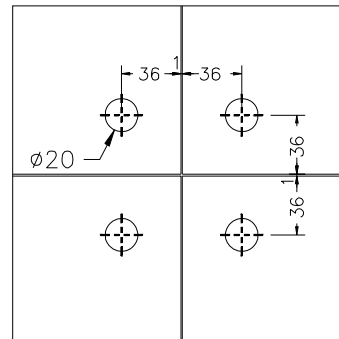
XL - C 4007A



XL - C 4008A

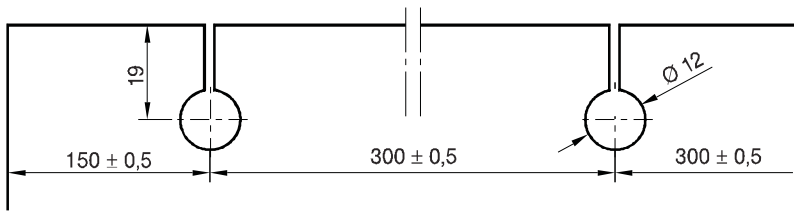


XL - C 4009A

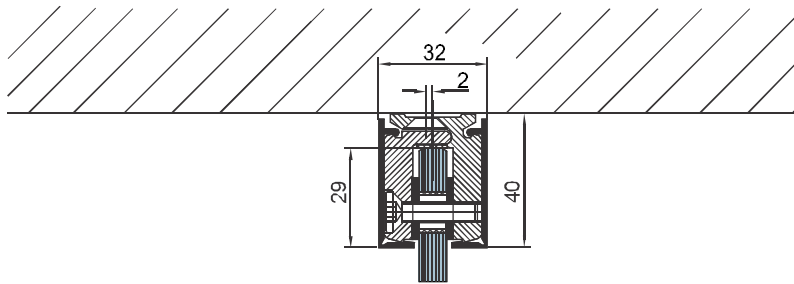


**Cut-out Details
for
Patch Fitting**

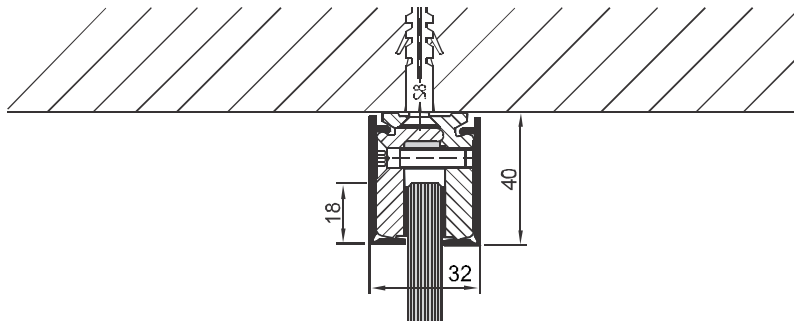
XL - C 4024A / XL - C 4026 A



Glass installation for XL - C 4024 / XL - C 4026



Glass installation for XL - C 4023 / XL - C 4025



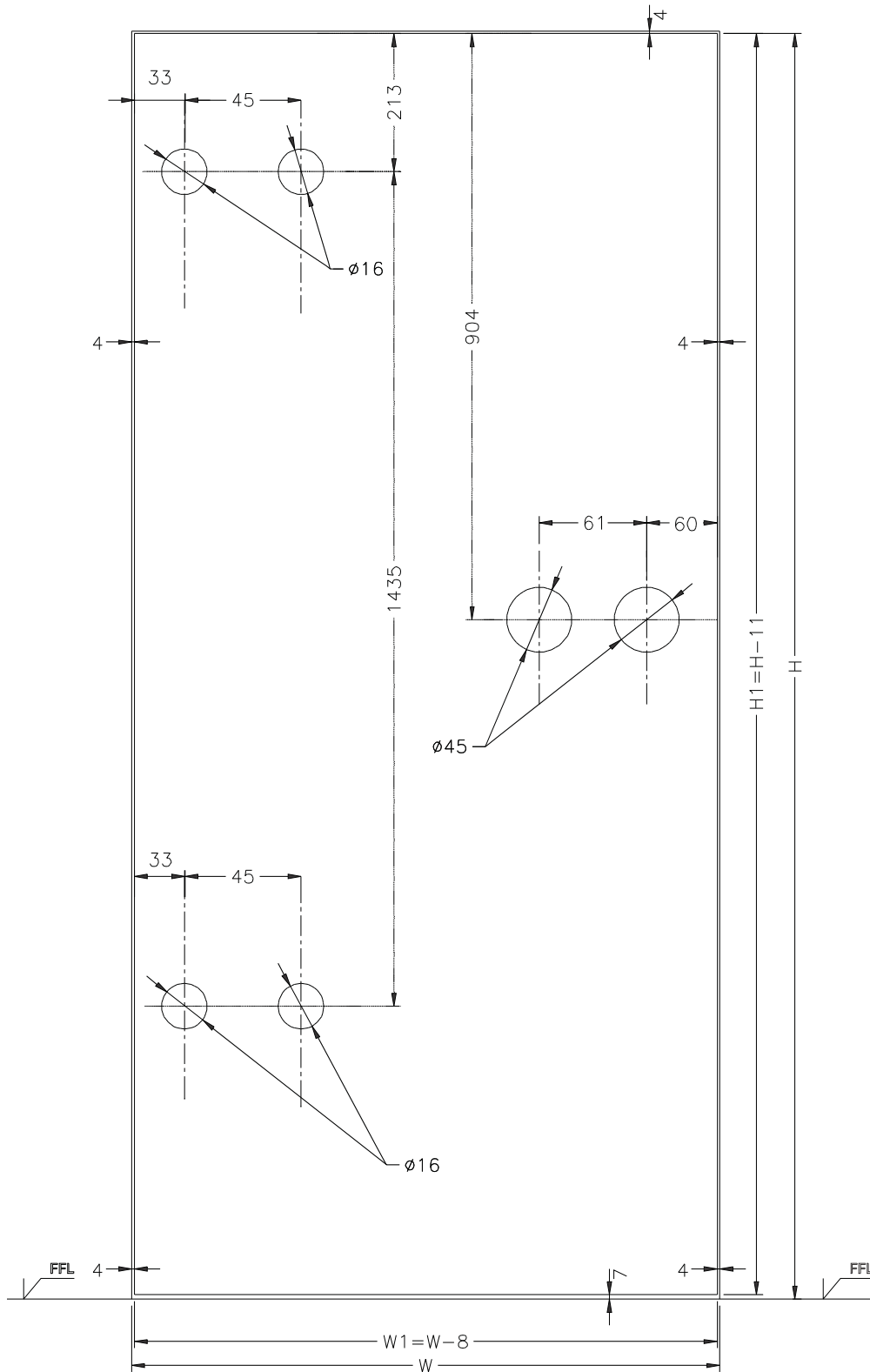
**Cut-out Details
for
Wall Connecting
Profile**

Internal Glass Door

XL - C 301, 302, 303, 304 (Full Set - Hinge & Lock)

XL - C 305, 306 (Hinge)

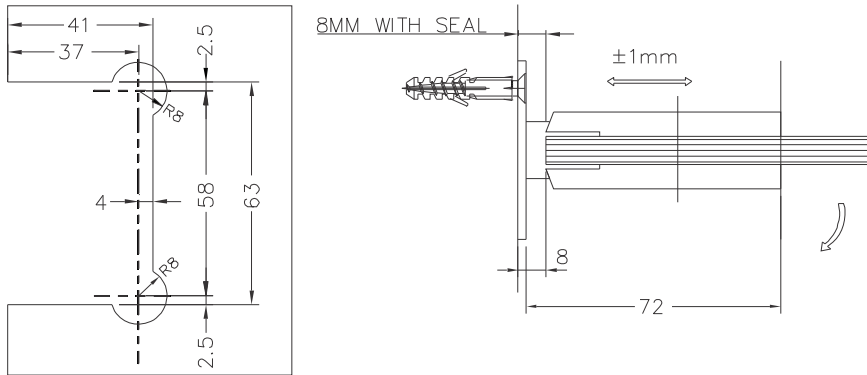
XL - C 307, 308, 309 (Lock)



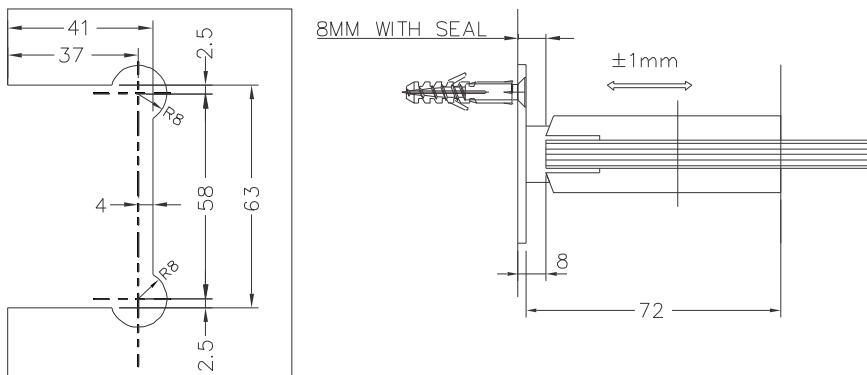
H1 = Height of Glass to be ordered H = Height of Opening Area
 W1 = Width of Glass to be ordered W = Width of Opening Area

**Cut-out Details
 for
 Internal Glass
 Door**

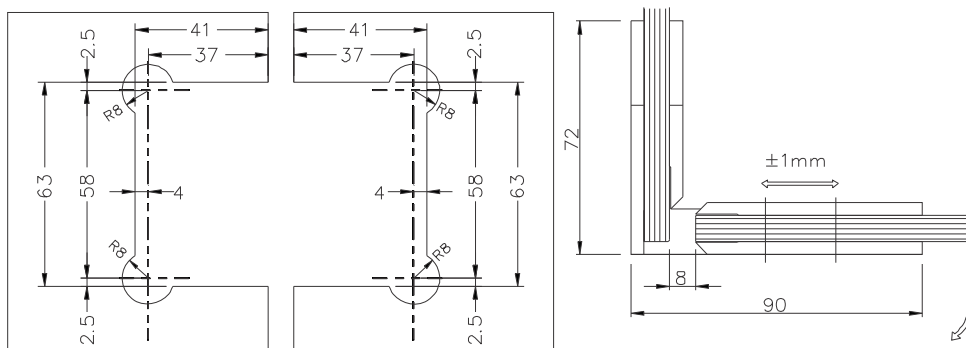
XL - C 5001 / 8001 / 8041 / 5028 (G/W Hinge 90°)



XL - C 5002 / 8002 / 8042 / 5029 (G/W Bracket 90°)

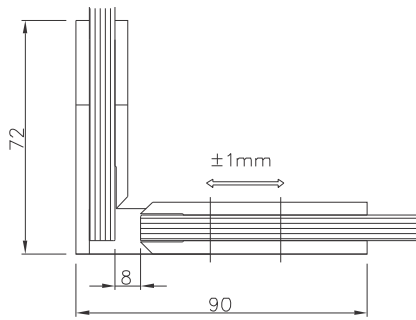
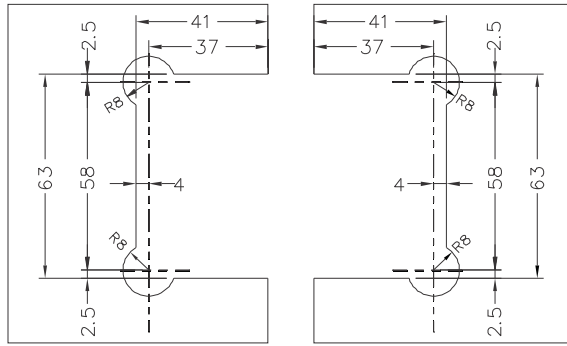


XL - C 5003 / 8003 (G/G Hinge 90°)

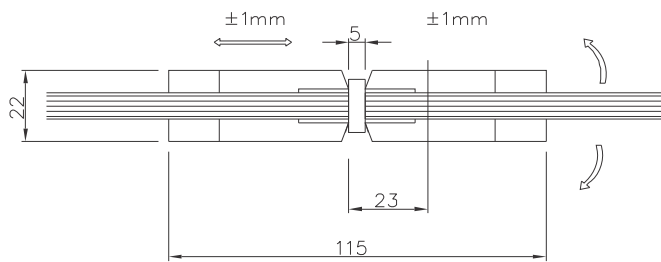
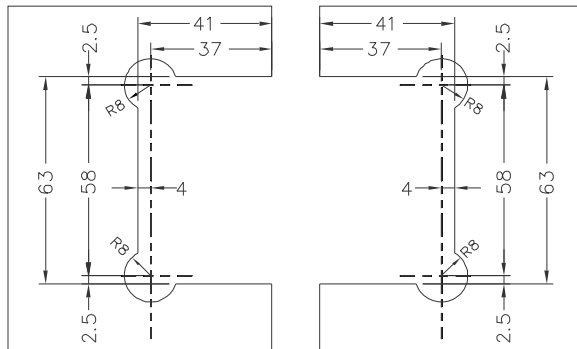


**Cut-out Details
for
Shower Fittings**

XL - C 5017 / 8017 (G/G Bracket 90°)

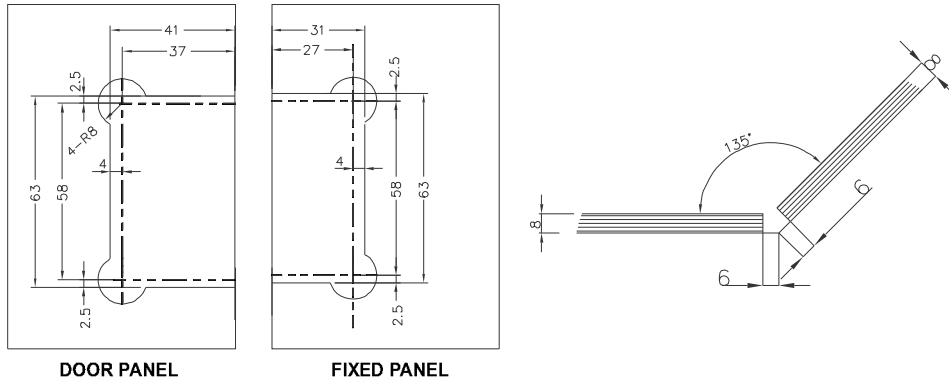


XL - C 5004 / 8004 (G/G Hinge 180°)

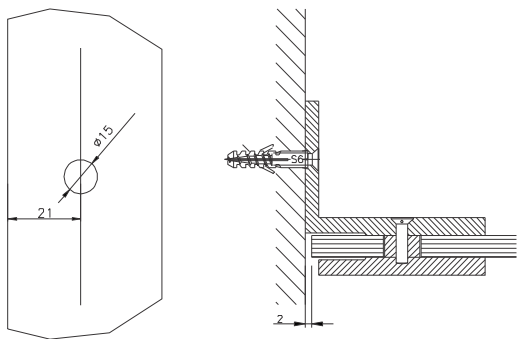


**Cut-out Details
for
Shower Fittings**

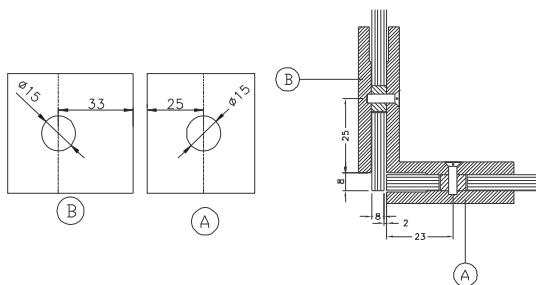
XL - C 5005 / 8005 (G/G Hinge 135°)



XL - C 5006 / 8006 (G/W Bracket 90°)



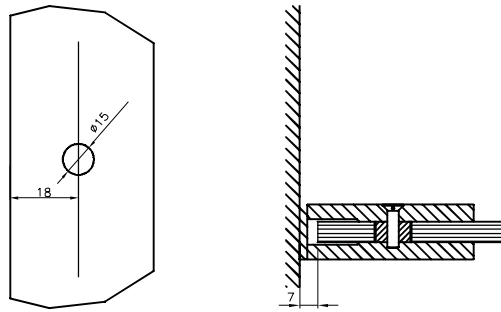
XL - C 8007 (G/G Bracket 90° - Small)



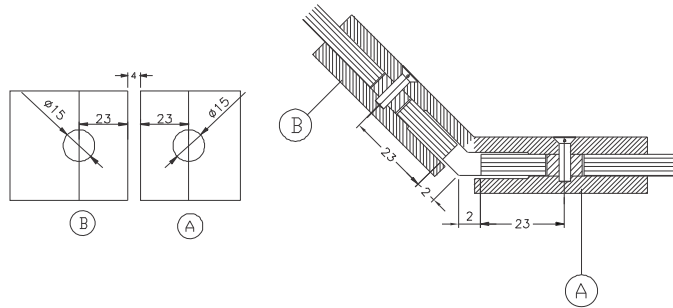
**Cut-out Details
for
Shower Fittings**

Glass Cut-out Details - Shower Fittings

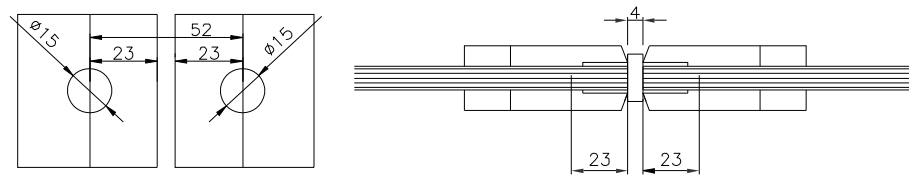
XL - C 8008 (G/W Bracket 90° with no Backplate)



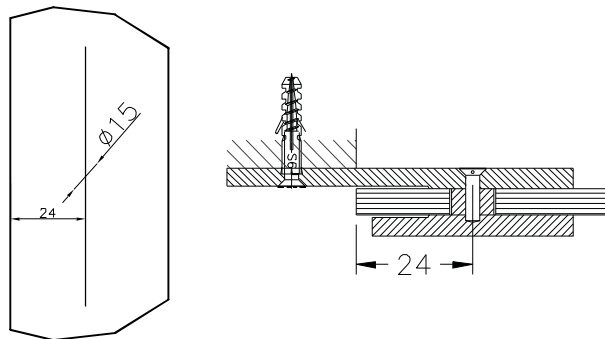
XL - C 8009 (G/G Bracket 135° - Small)



XL - C 8010 (G/G Bracket 180° - Small)



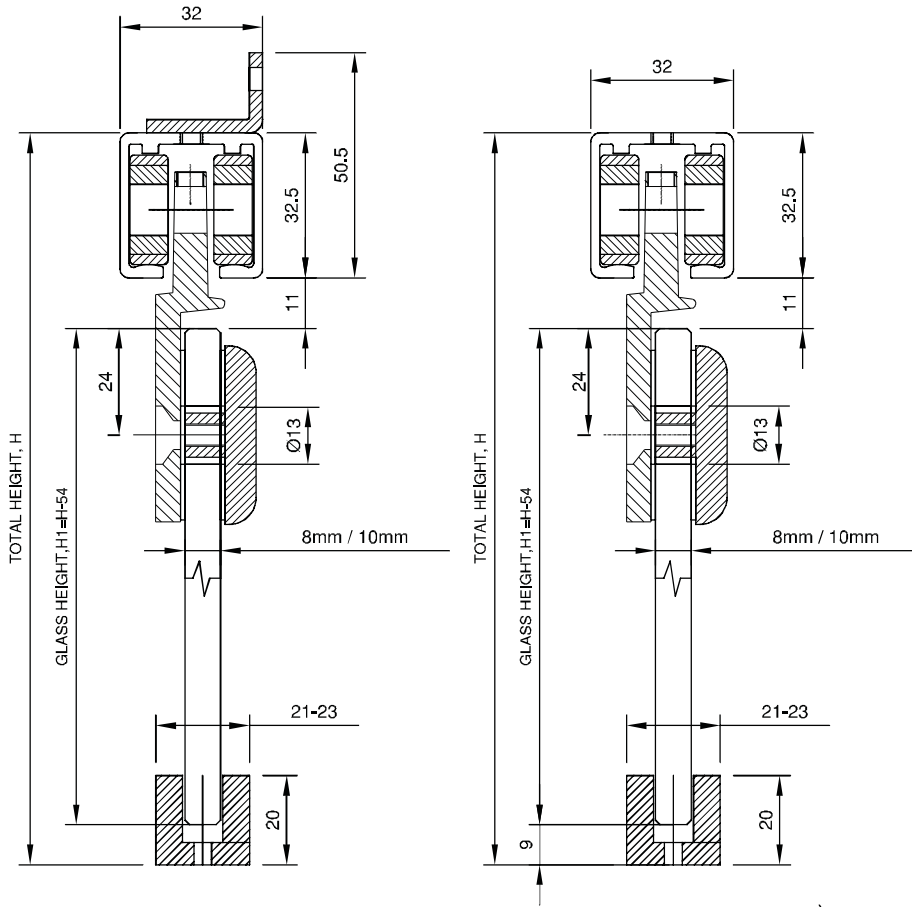
XL - C 8011 (G/W Bracket 90° with inline Backplate)



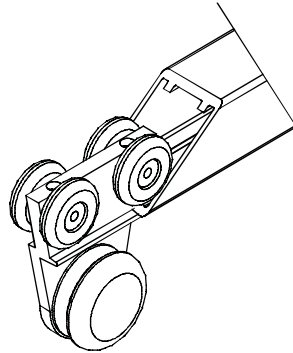
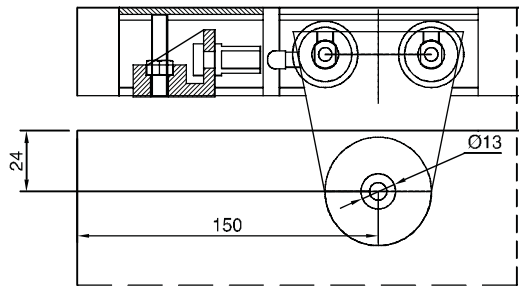
**Cut-out Details
for
Shower Fittings**

Sliding Gear : Glass Door Application - without Fixed Panel

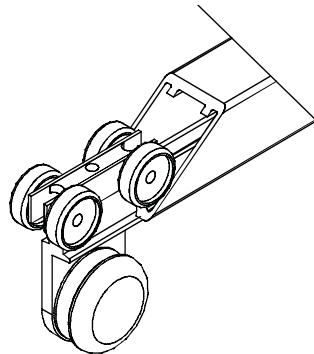
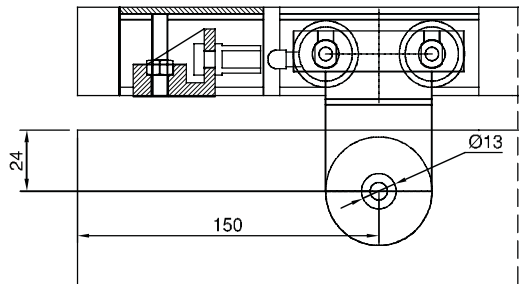
XL - C 7005, 7006, 7007, 7008, 7024, 7025



Roller Clamp Design : 80 kg Capacity

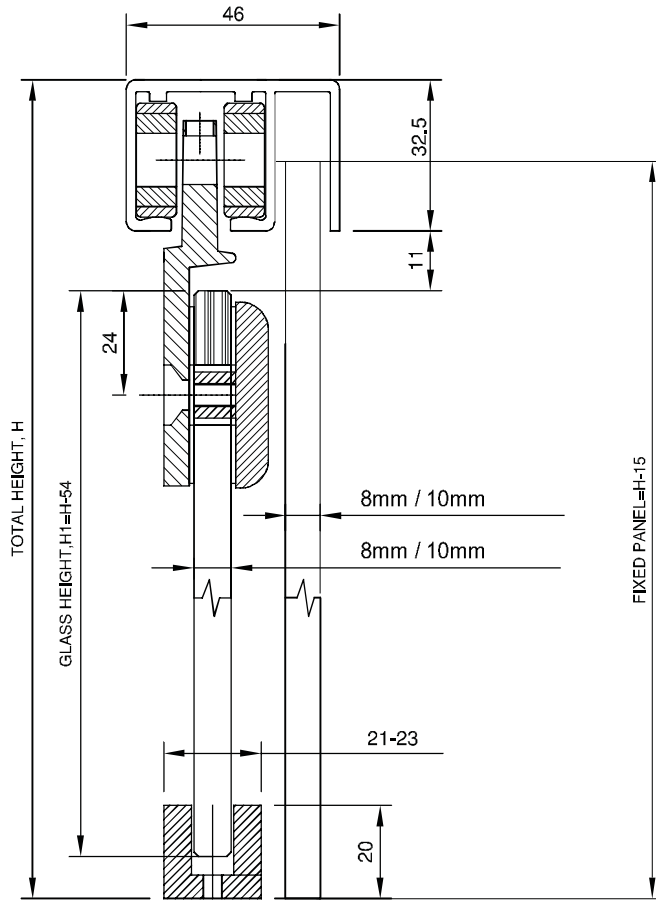


Roller Clamp Design : 100 kg Capacity

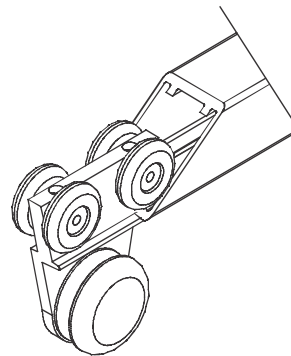
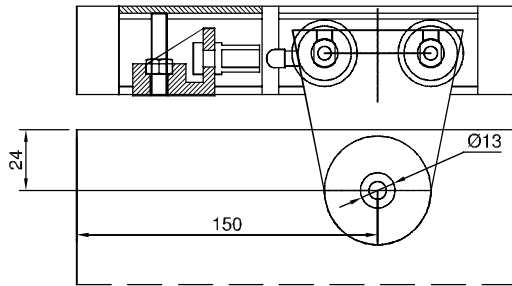


**Cut-out Details
for
Sliding Gear**

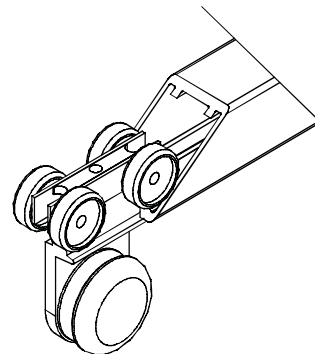
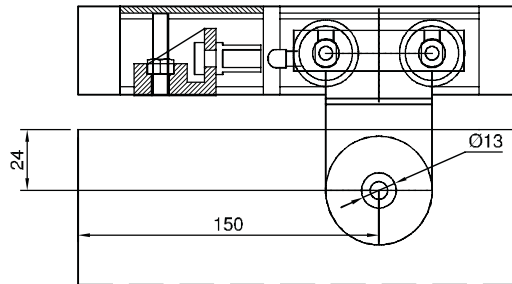
Sliding Gear : Glass Door Application - with Fixed Panel
XL - C 7009, 7010, 7011, 7012, 7026, 7027



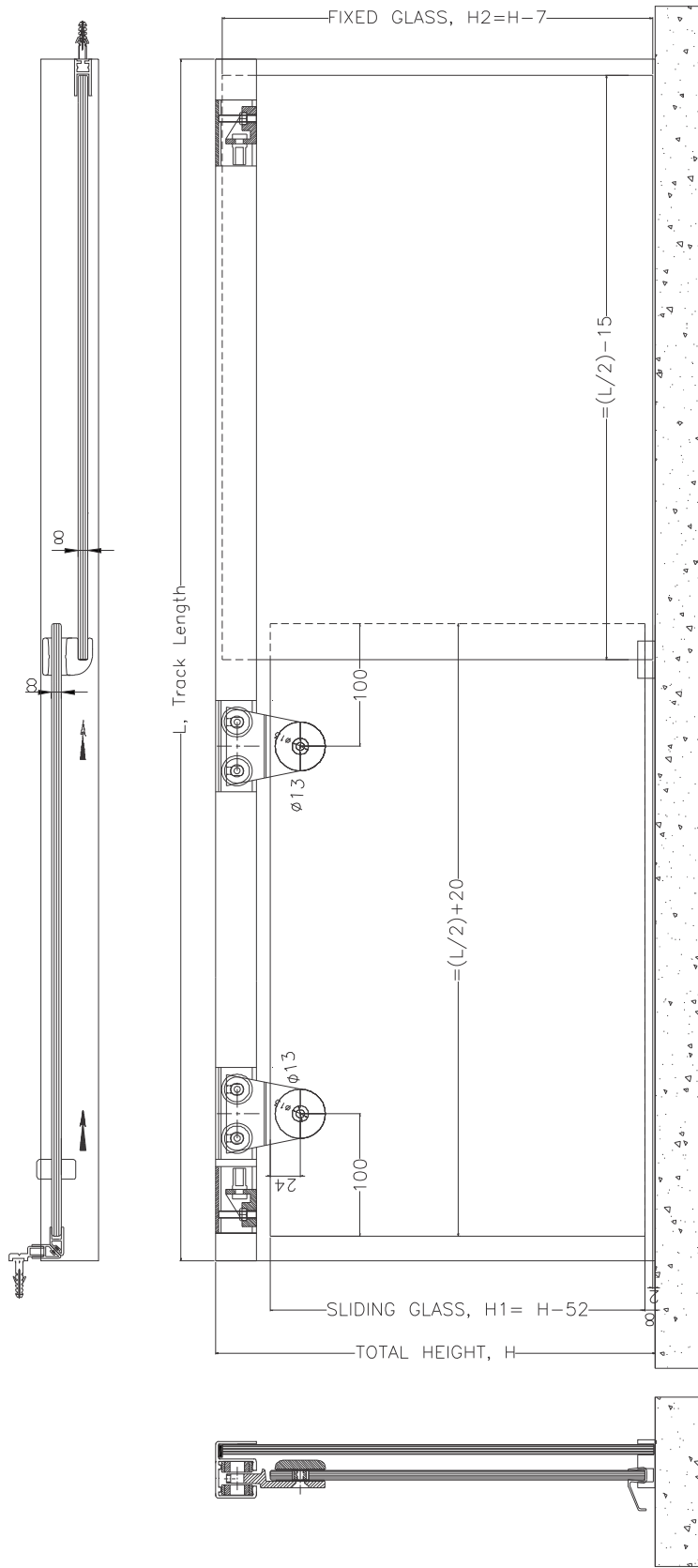
Roller Clamp Design : 80 kg Capacity



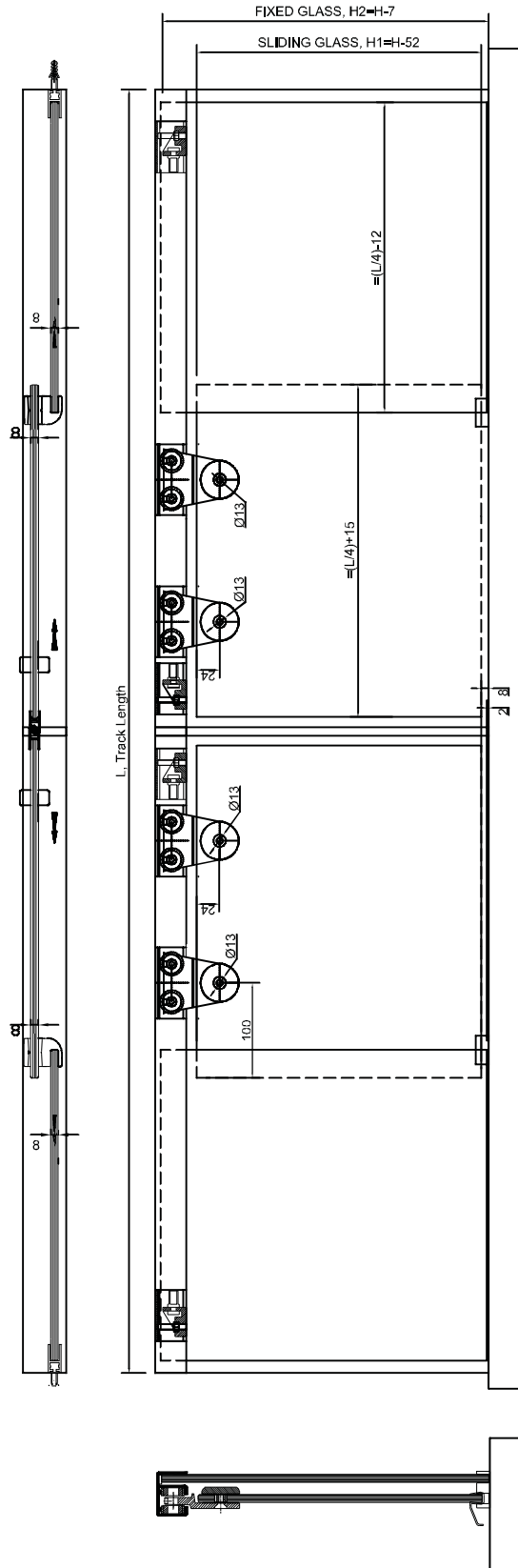
Roller Clamp Design : 100 kg Capacity



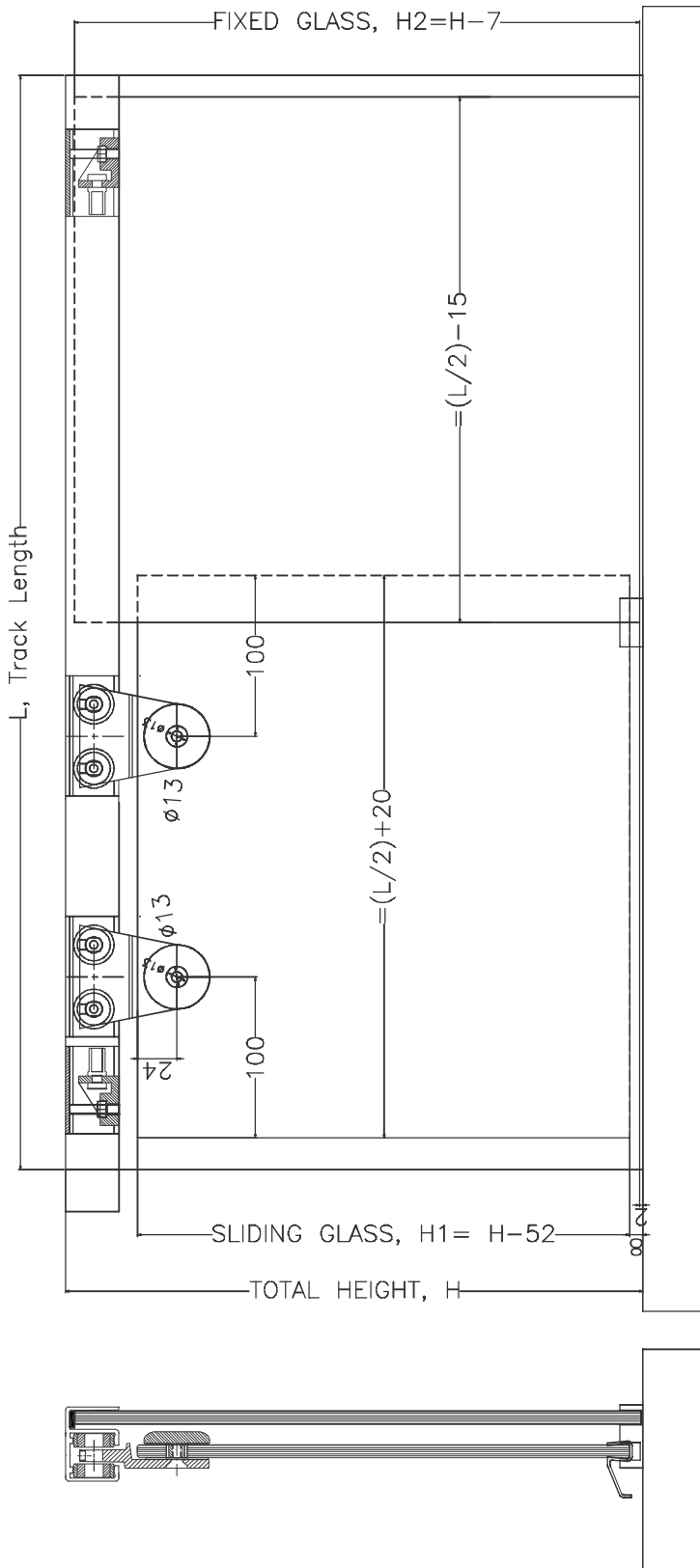
**Cut-out Details
 for
 Sliding Gear**



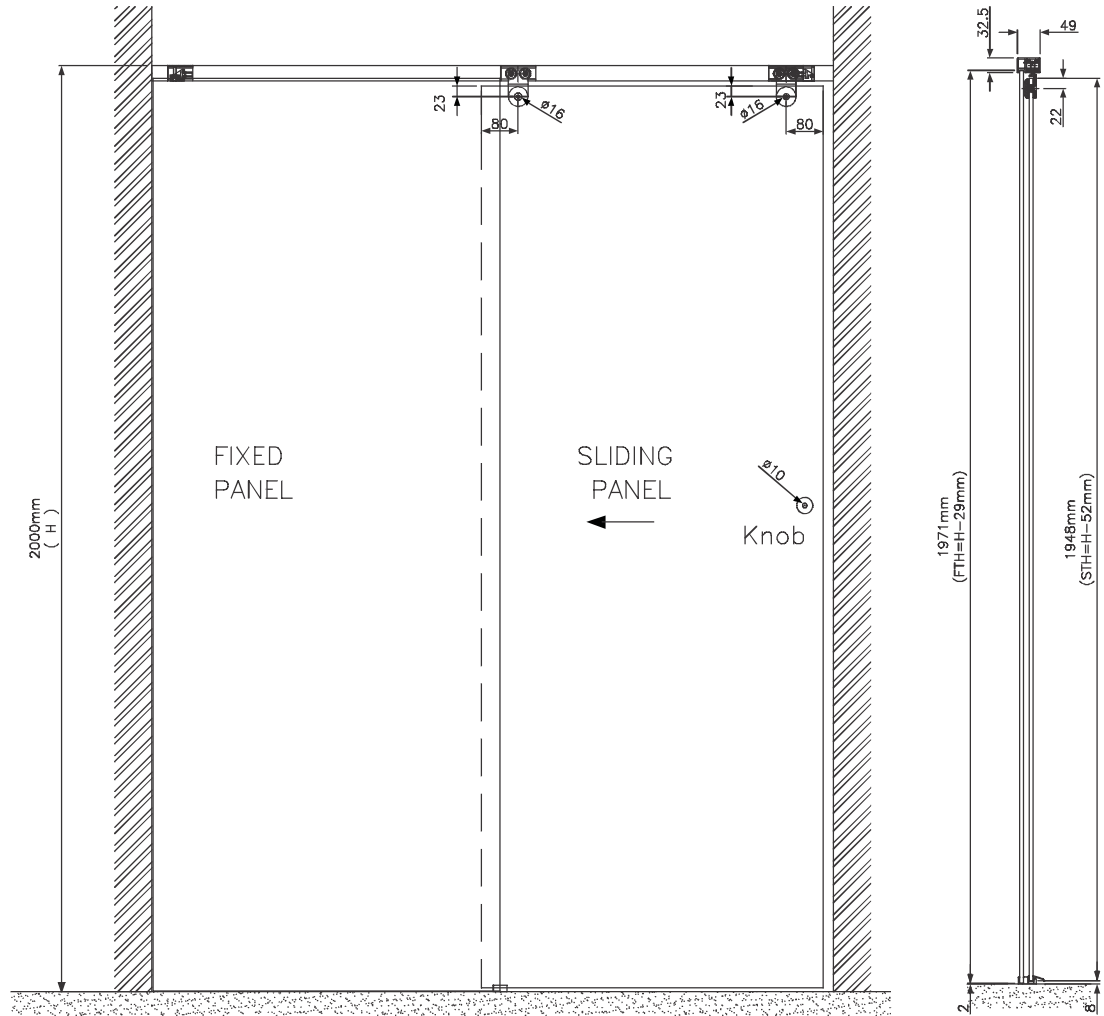
**Cut-out Details
for
Sliding Shower**



**Cut-out Details
for
Sliding Shower**

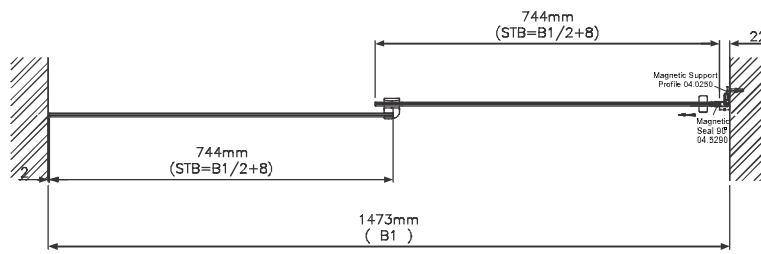


**Cut-out Details
for
Sliding Shower**



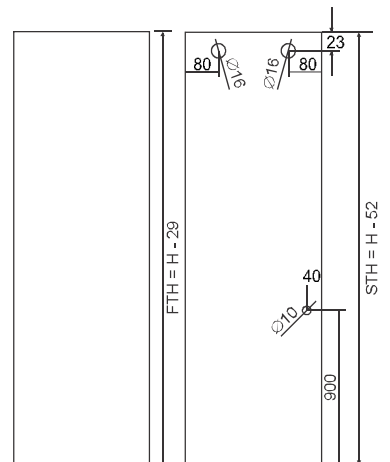
ELEVATION

SECTION



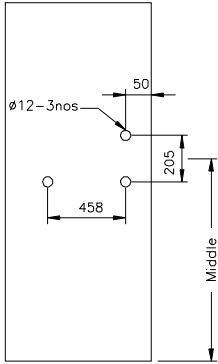
PLAN

Cut-out Details for Sliding Shower



Towel Rod cum Handle

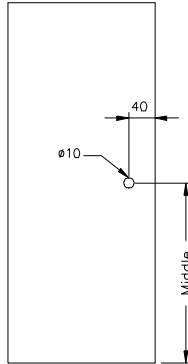
XL - C 5015A / 8021A



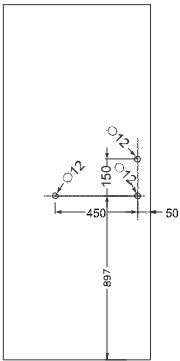
Door Knob

XL - C 5023A

Knob used in XL - C 7013 / 7036 / 7037 / 7042

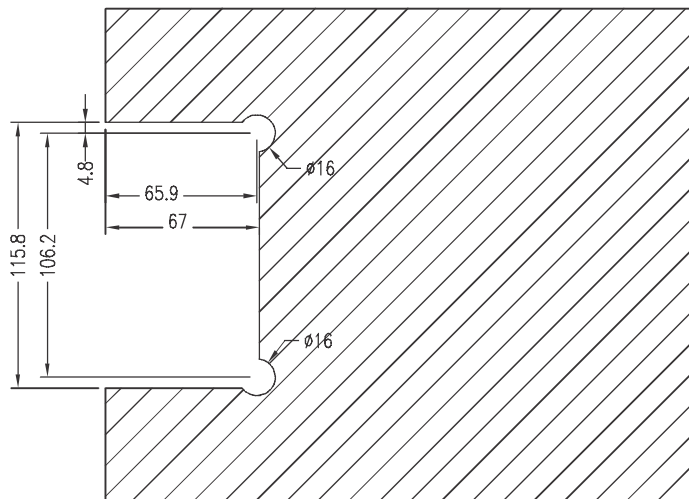


XL - C 8031A



Hook Lock for Sliding Door - Glass to Wall / Wood / Glass

XL - C 7019 / 7121 - Door & Fixed Panel

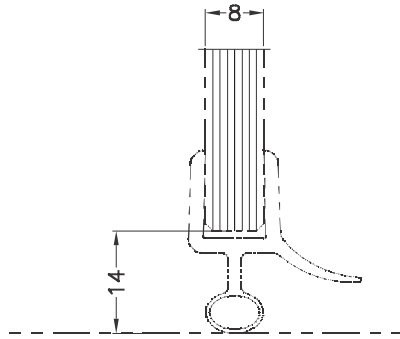


DORMA XL - C®

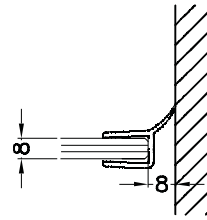
**Cut-out Details
for
Accessories**

Seals

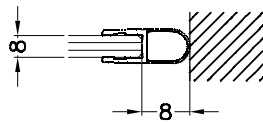
Water Dispenser XL - C 5007



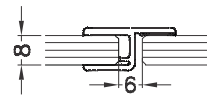
Wall Seal XL - C 8030



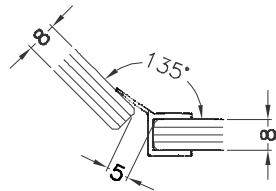
Soft Nose Seal XL - C 8028



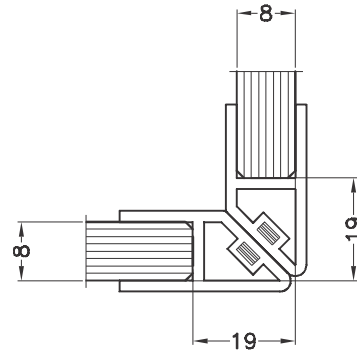
Middle Seal 180° XL - C 3044



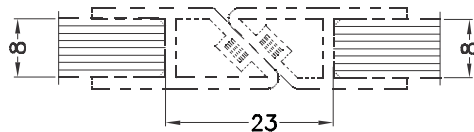
Middle Seal 135° XL - C 3046



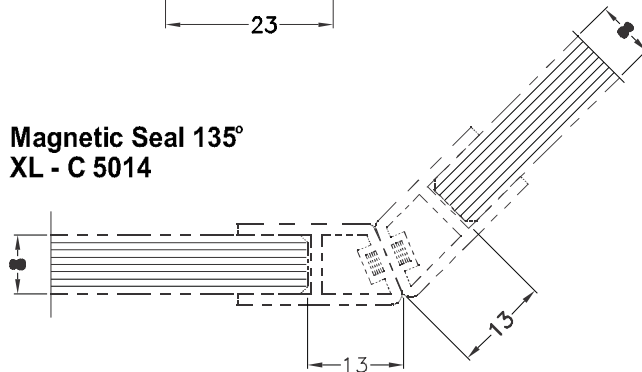
Magnetic Seal 90° XL - C 5012



Magnetic Seal 180° XL - C 5013

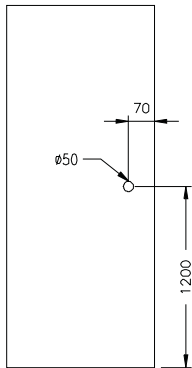


Magnetic Seal 135° XL - C 5014

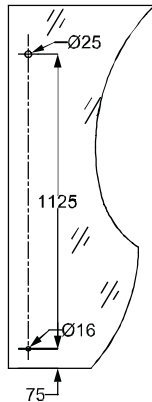


**Cut-out Details
for
Seals**

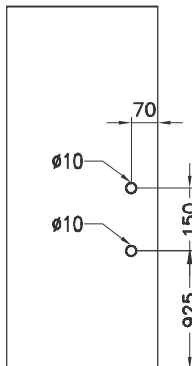
XL - C 7018



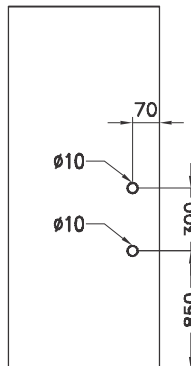
XL - C LH 3024
(H Type Handle - 1500 x 35 mm)



XL - C 3001A
(D Type Handle - 150 x 19 mm)

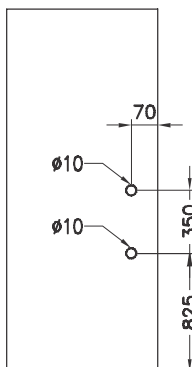


XL - C 3002A
(D Type Handle - 300 x 22 mm)

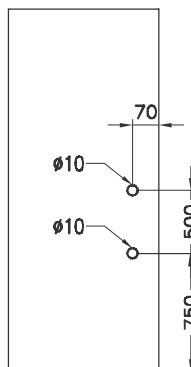


XL - C 3000A
(H Type Handle - 400 x 22 mm)

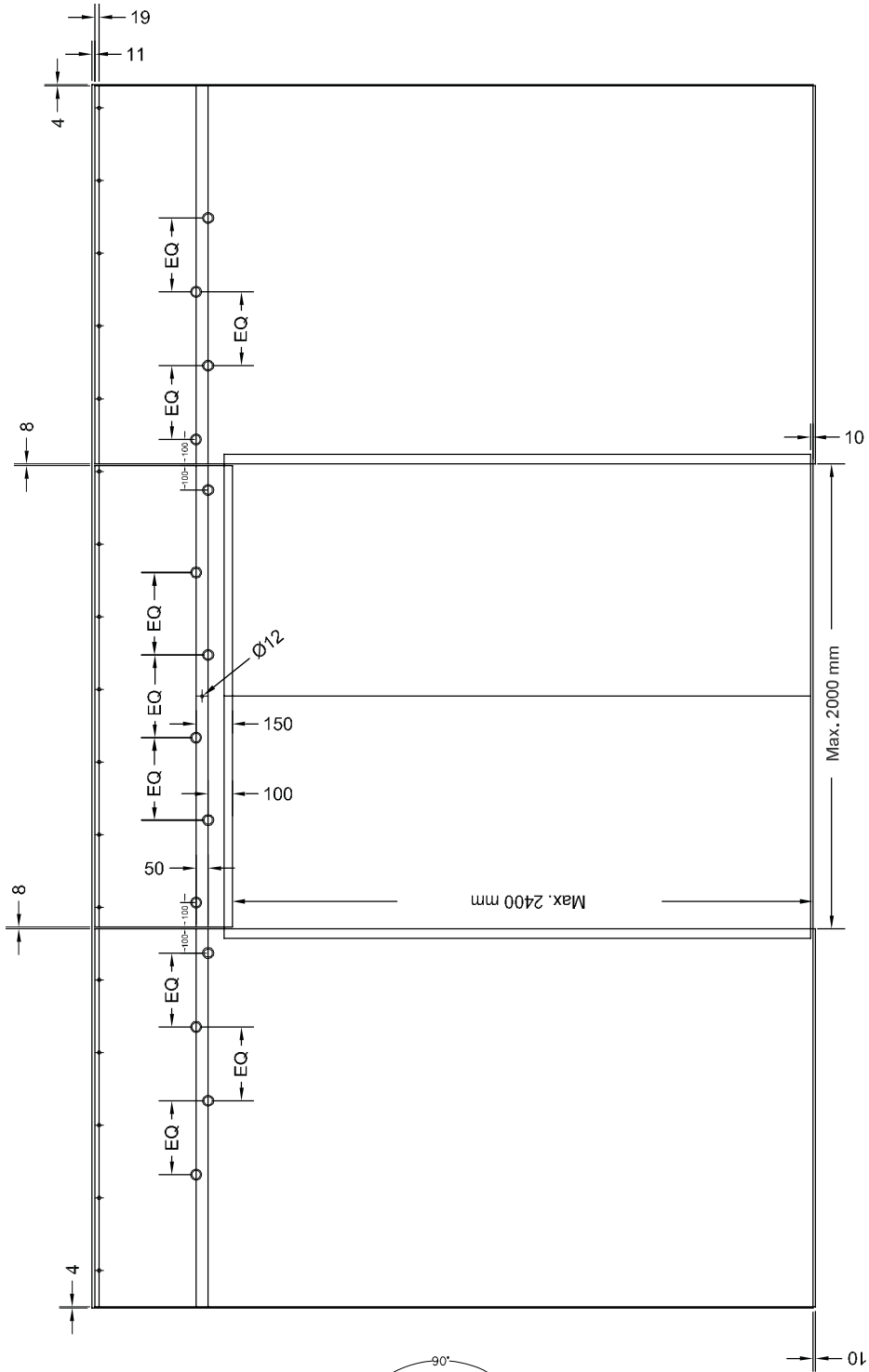
XL - C 3003A
(H Type Handle - 450 x 25 mm)



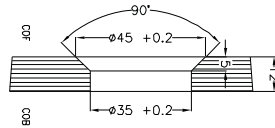
XL - C 3004A
(H Type Handle - 600 x 32 mm)



**Cut-out Details
for
Pull Handles**



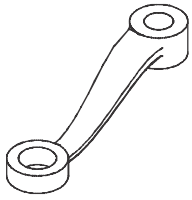
**Cut-out Details
for Automatic
Sliding
Mounted on
Glass**



Countersunk Cutout Detail for
XL - C 4115 & XL - C 4116

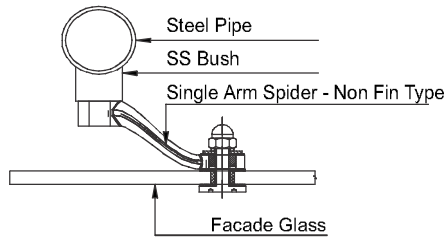
All dimensions are in mm

1 Arm Non Fin Type Spider

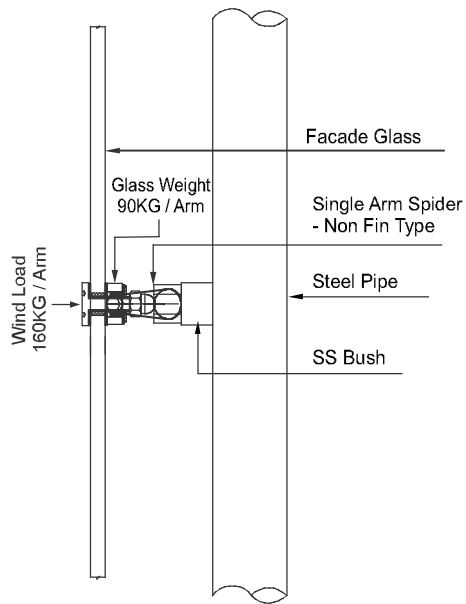


Ordering Code : **XL - C 6026**
 Reference Code : 9140777
 Finish : Electro Polished
 Material : SS 316
 Maximum Facade Thickness : 15 mm

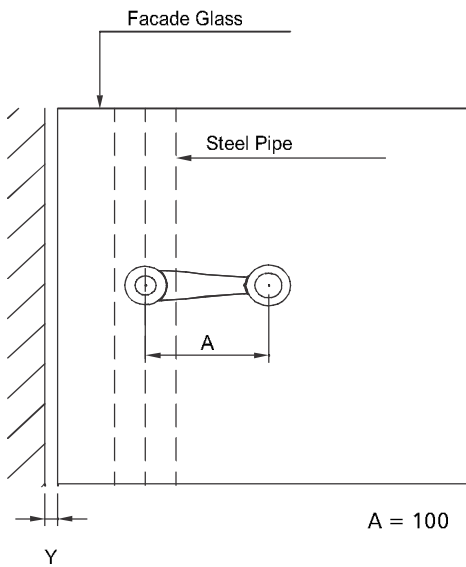
Plan



Section



Glass Preparation for Facade Glass :

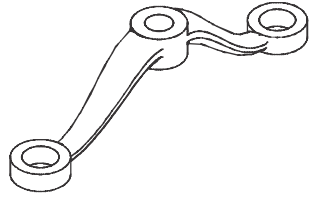


Glass Hole :

| S.No | Bolts Description | Hole Dia |
|------|-------------------|----------|
| 1 | Fixed Bolt | 22 mm |
| 2 | Articulated Bolt | 32 mm |

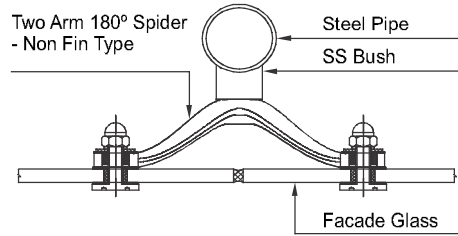
**Cut-out Details
for
Spider**

2 Arm 180° Spider - Non Fin Type

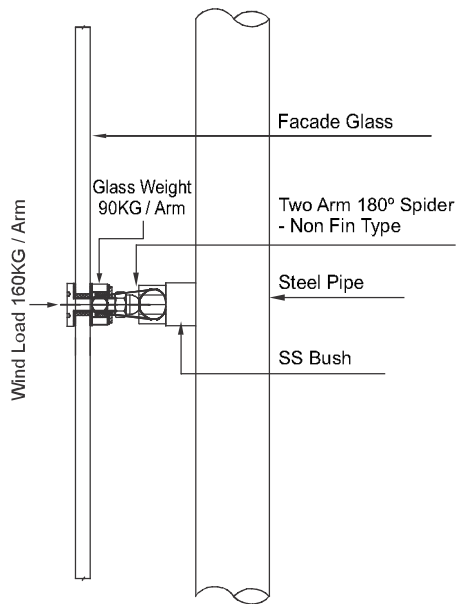


Ordering Code : **XL - C 6027**
 Reference Code : 9140778
 Finish : Electro Polished
 Material : SS 316
 Maximum Facade : 15 mm
 Thickness

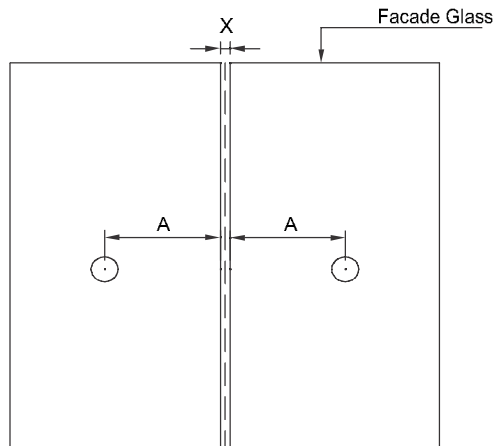
Plan



Section



Glass Preparation for Facade Glass :



$$A = (200 - X) / 2$$

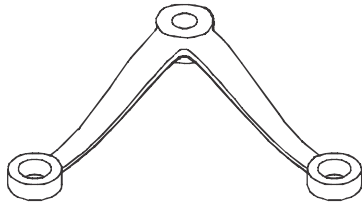
Note : X = Silicon Gap

Glass Hole :

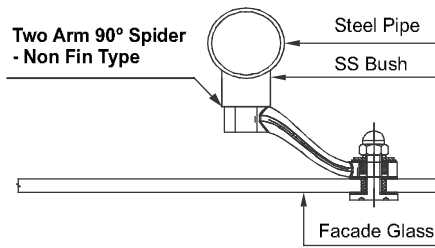
| S.No | Bolts Description | Hole Dia |
|------|-------------------|----------|
| 1 | Fixed Bolt | 22 mm |
| 2 | Articulated Bolt | 32 mm |

**Cut-out Details
for
Spider**

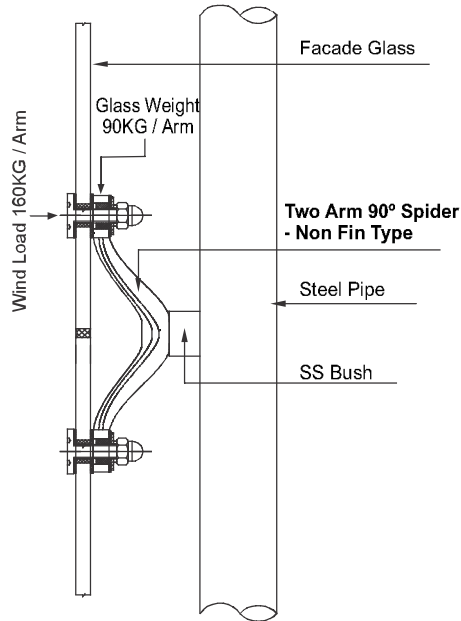
2 Arm 90° Spider - Non Fin Type



Plan

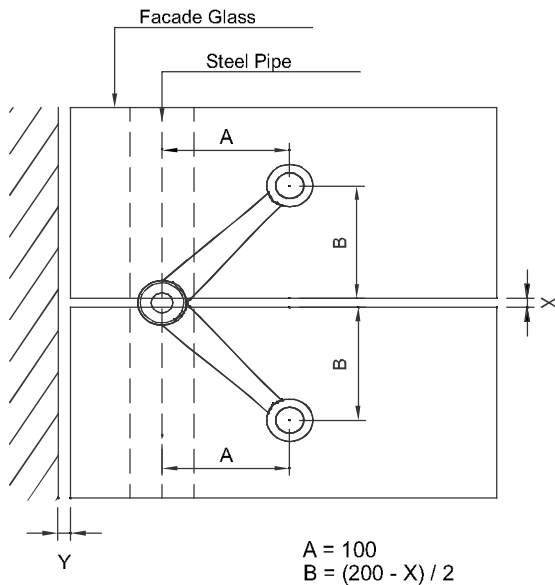


Section



Ordering Code : **XL - C 6028**
 Reference Code : 9140779
 Finish : Electro Polished
 Material : SS 316
 Maximum Facade : 15 mm
 Thickness

Glass Preparation for Facade Glass :



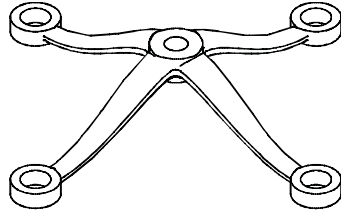
Note : X = Silicon Gap

Glass Hole :

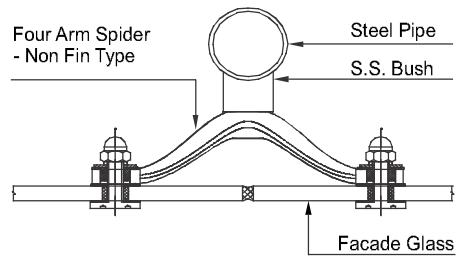
| S.No | Bolts Description | Hole Dia |
|------|-------------------|----------|
| 1 | Fixed Bolt | 22 mm |
| 2 | Articulated Bolt | 32 mm |

**Cut-out Details
for
Spider**

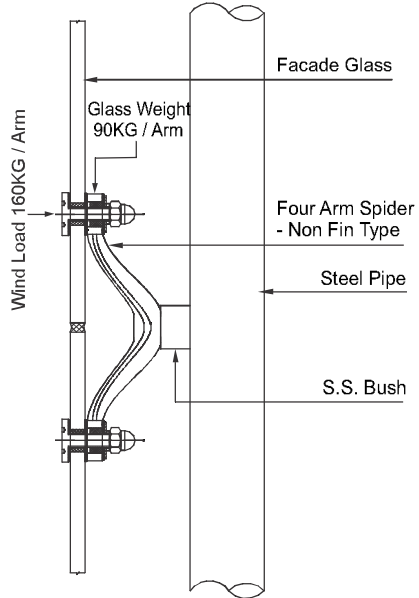
4 Arm 180° Spider - Non Fin Type



Plan

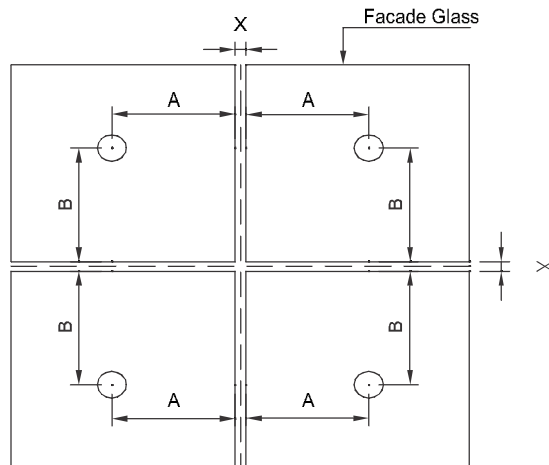


Section



Ordering Code : **XL - C 6029**
 Reference Code : 9140780
 Finish : Electro Polished
 Material : SS 316
 Maximum Facade : 15 mm
 Thickness

Glass Preparation for Facade Glass :



$A = (200 - X) / 2$
 $B = (200 - X) / 2$

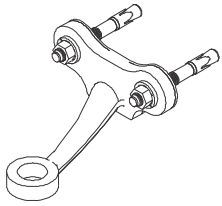
Note : X = Silicon Gap

Glass Hole :

| S.No | Bolts Description | Hole Dia |
|------|-------------------|----------|
| 1 | Fixed Bolt | 22 mm |
| 2 | Articulated Bolt | 32 mm |

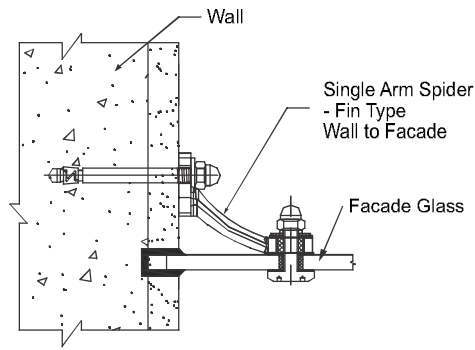
**Cut-out Details
for
Spider**

1 Arm Spider - Fin Type

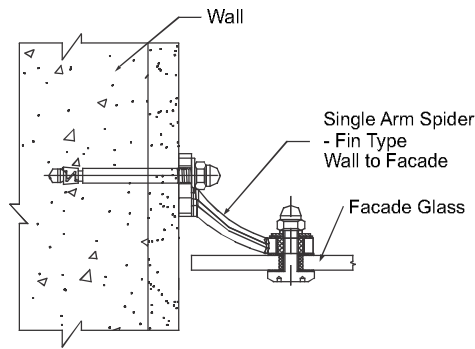


Ordering Code : **XL - C 6030**
 Reference Code : 9140764
 Finish : Electro Polished
 Material : SS 316
 Maximum Facade Thickness : 15 mm

Plan - Option 1



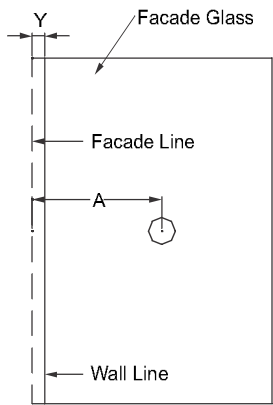
Plan - Option 2



Glass Preparation for Facade Glass :

Option - 1

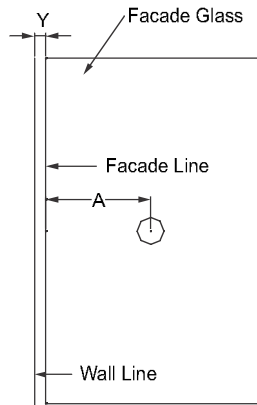
Glass Inserted to the Wall



$$A = (90 + 2 + Y)$$

Option - 2

Glass not Inserted to the Wall



$$A = (90 + 2 - Y)$$

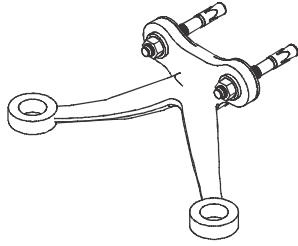
Note : X = Silicon Gap

Glass Hole :

| S.No | Bolts Description | Hole Dia |
|------|-------------------|----------|
| 1 | Fixed Bolt | 22 mm |
| 2 | Articulated Bolt | 32 mm |

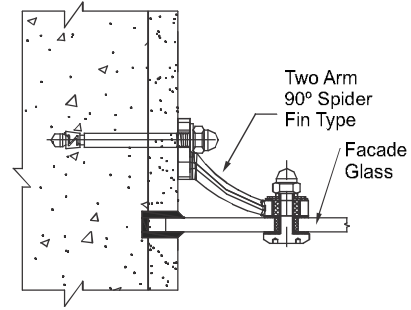
**Cut-out Details
for
Spider**

2 Arm 90° Spider - Fin Type

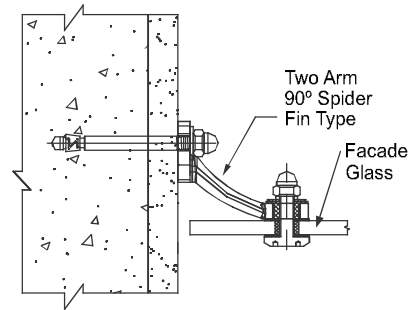


Ordering Code : **XL - C 6031**
 Reference Code : 9140765
 Finish : Electro Polished
 Material : SS 316
 Application : Façade to wall
 Maximum Façade : 15 mm
 Thickness

Plan - Option 1



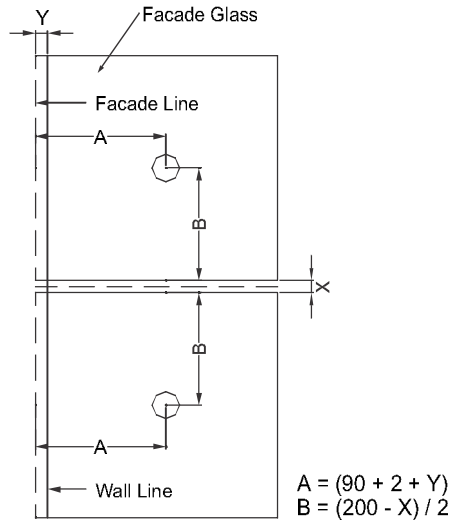
Plan - Option 2



Glass Preparation for Façade Glass :

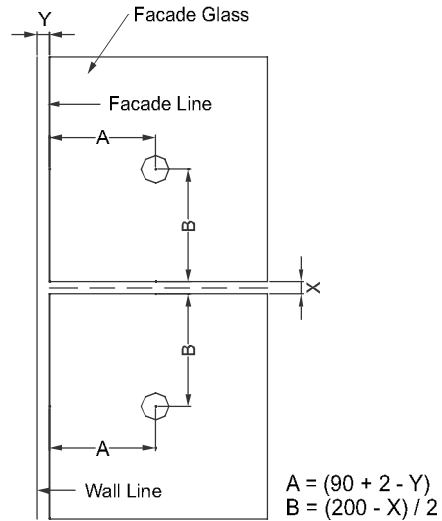
Option - 1

Glass Inserted to the Wall



Option - 2

Glass not Inserted to the Wall



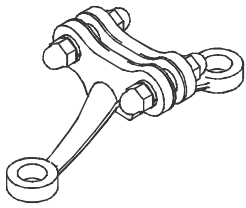
Note : X = Silicon Gap

Glass Hole :

| S.No | Bolts Description | Hole Dia |
|------|-------------------|----------|
| 1 | Fixed Bolt | 22 mm |
| 2 | Articulated Bolt | 32 mm |

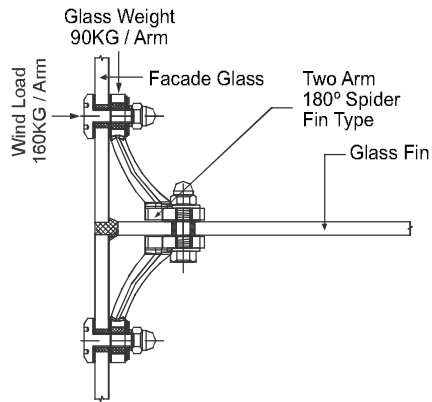
**Cut-out Details
for
Spider**

2 Arm 180° Spider - Fin Type

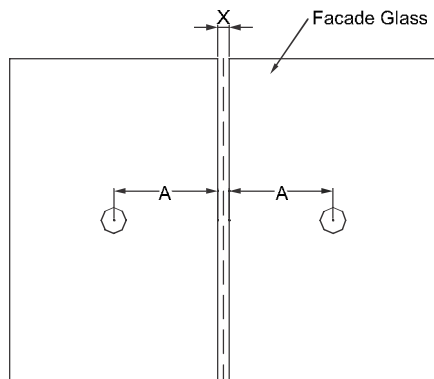


Ordering Code : **XL - C 6032**
 Reference Code : 9140766
 Finish : Electro Polished
 Material : SS 316
 Application : Fin to Façade
 Maximum Façade : 15 mm
 Thickness :
 Maximum Fin : 19.52 mm
 Thickness :

Plan

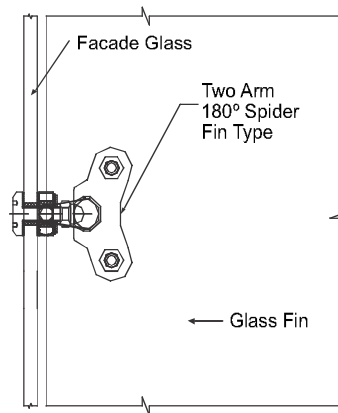


Glass Preparation for Façade Glass :

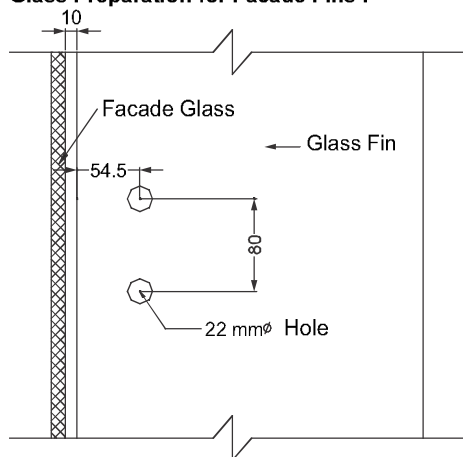


$$A = [(90 + 90 + 3 + \text{FIN THK}) - X] / 2$$

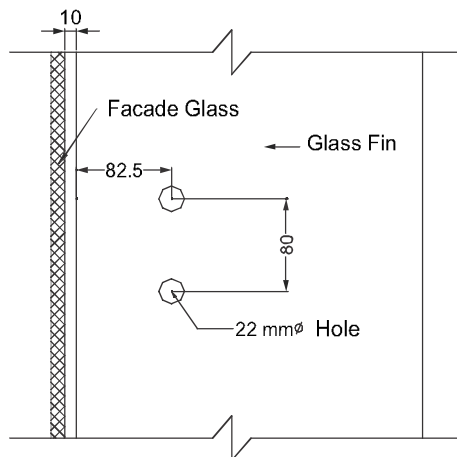
Elevation



Glass Preparation for Façade Fins :



Fixed Bolts



Articulated Bolts

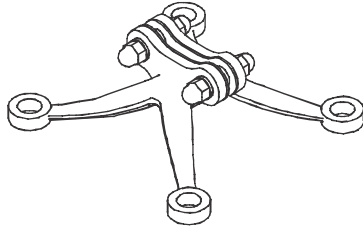
Note : X = Silicon Gap

Glass Hole :

| S.No | Bolts Description | Hole Dia |
|------|-------------------|----------|
| 1 | Fixed Bolt | 22 mm |
| 2 | Articulated Bolt | 32 mm |

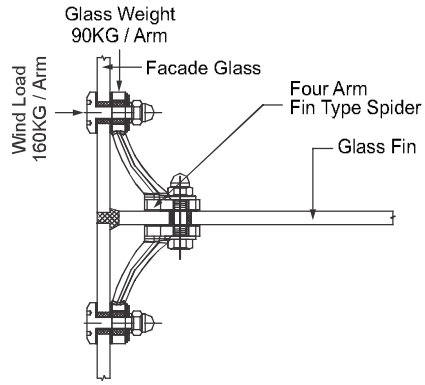
**Cut-out Details
for
Spider**

4 Arm Spider - Fin Type

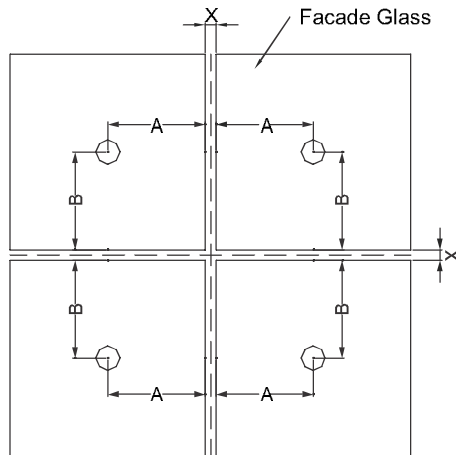


Ordering Code : **XL - C 6033**
 Reference Code : 9140767
 Finish : Electro Polished
 Material : SS 316
 Application : Fin to Façade
 Maximum Façade : 15 mm
 Thickness
 Maximum Fin : 19.52 mm
 Thickness

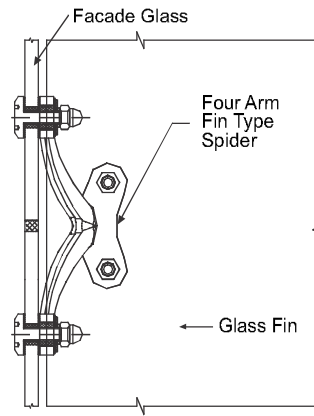
Plan



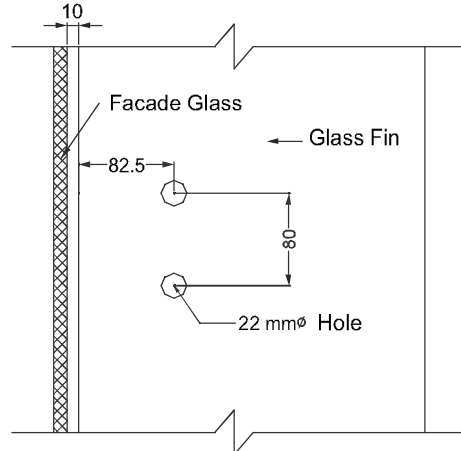
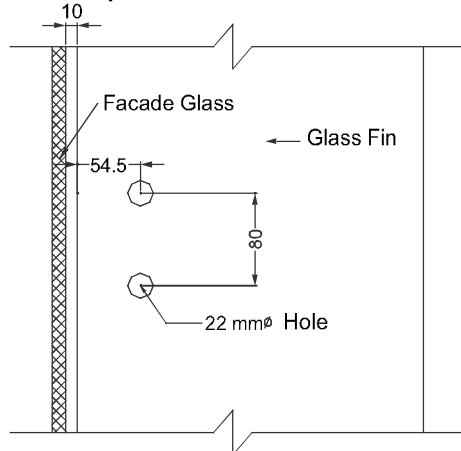
Glass Preparation for Façade Glass :



Elevation



Glass Preparation for Façade Fins :



Fixed Bolts

$$A = [(90 + 90 + 3 + \text{FIN THK}) - X] / 2$$

$$B = (200 - X) / 2$$

Note : X = Silicon Gap

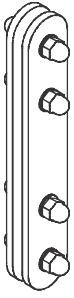
Articulated Bolts

Glass Hole :

| S.No | Bolts Description | Hole Dia |
|------|-------------------|----------|
| 1 | Fixed Bolt | 22 mm |
| 2 | Articulated Bolt | 32 mm |

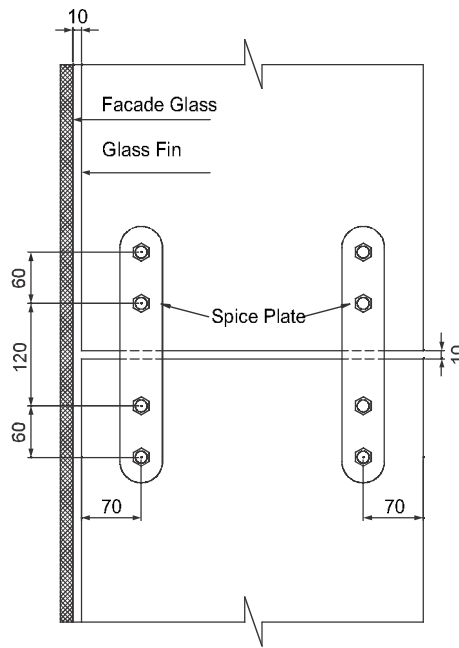
**Cut-out Details
for
Spider**

Splice Plate

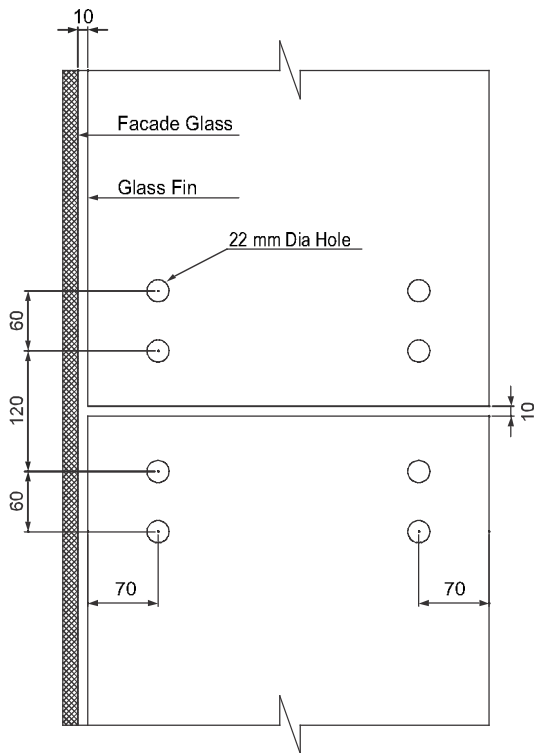


- Ordering Code : **XL - C 6034**
- Reference Code : 9140770
- Finish : Electro Polished
- Material : SS 316
- Size : 300 x 50 x 8 mm
- Max. Fin Thickness : 19.52 mm
- Max. Fin Width : 400 mm

Fixed Bolt



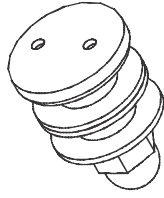
Glass Preparation for Fin Fins :



Fixed Bolt

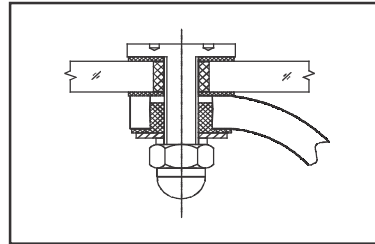
**Cut-out Details
for
Spider**

Fixed Bolt

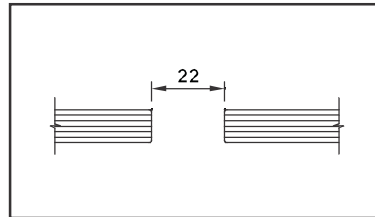


Ordering Code : **XL - C 6035**
Reference Code : 9140771
Finish : Electro Polished
Material : SS 316
Max. Facade : 15 mm
Thickness

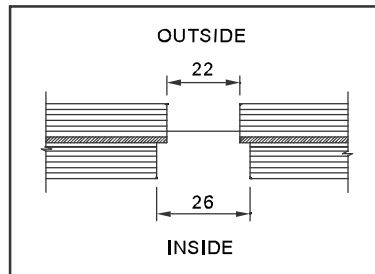
Section



Tempered Glass

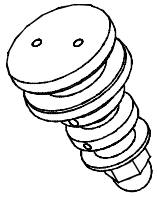


Laminated Glass



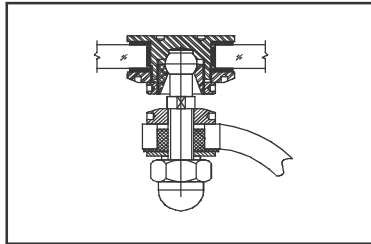
**Cut-out Details
for
Spider**

Articulated Bolt

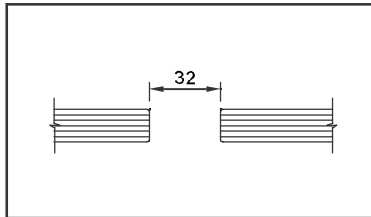


Ordering Code : **XL - C 6036**
Reference Code : 9140772
Finish : Electro Polished
Material : SS 316
Max. Facade : 15 mm
Thickness

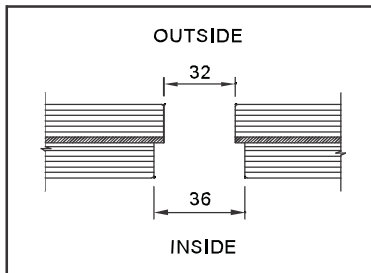
Section



Tempered Glass

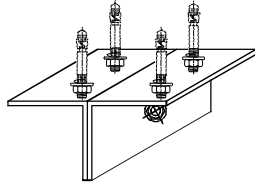


Laminated Glass

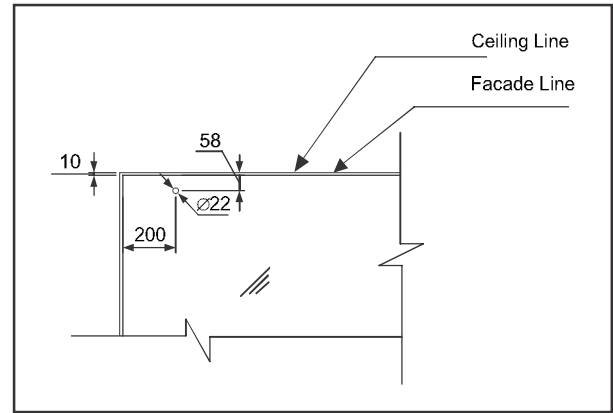


**Cut-out Details
for
Spider**

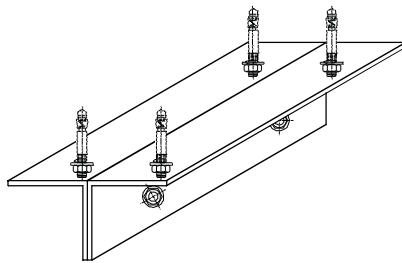
Facade Bracket



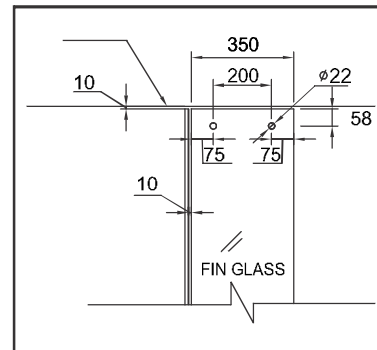
Ordering Code : **XL - C 6037**
 Reference Code : 9140768
 Finish : NiCr Plated
 Material : MS/NiCr
 Max. Facade Thickness : 15 mm



Fin Bracket

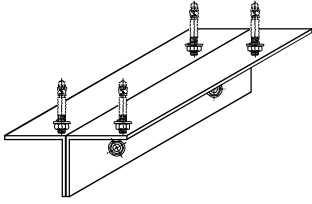


Ordering Code : **XL - C 6038**
 Reference Code : 9140769
 Finish : NiCr Plated
 Material : MS/NiCr
 Max. Fin Thickness : 19.52 mm

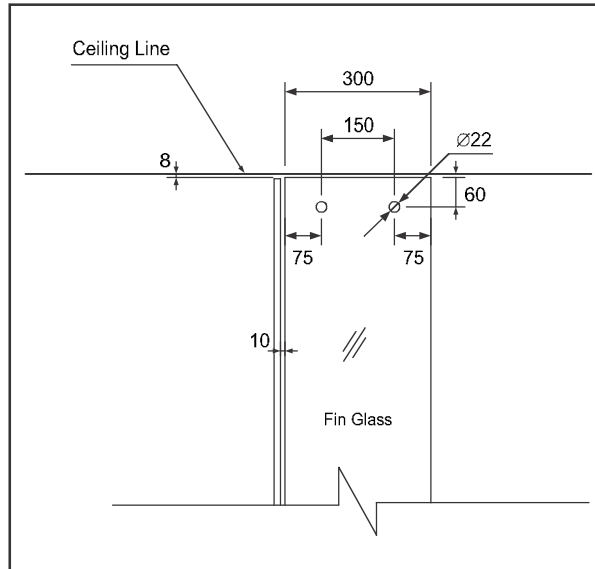


**Cut-out Details
 for
 Brackets**

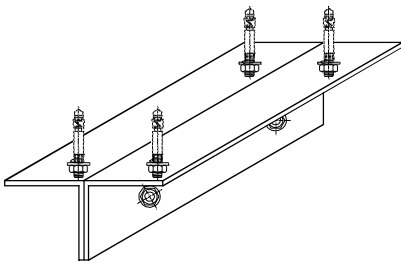
Fin Bracket



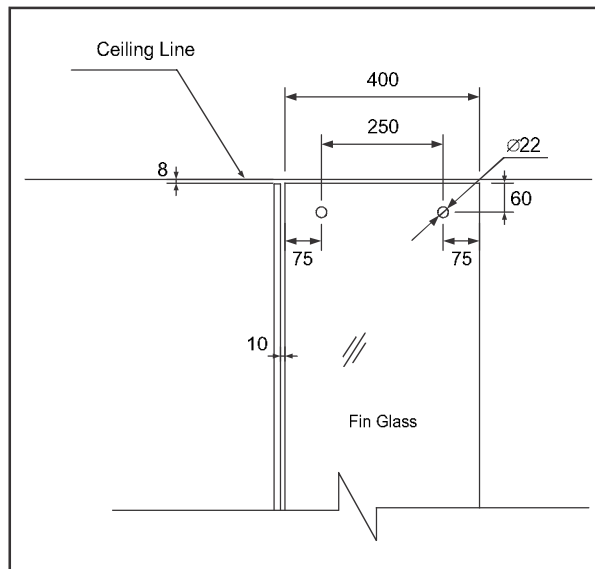
Ordering Code : **XL - C 6039**
Reference Code : 9140013
Finish : NiCr Plated
Material : MS/NiCr
Max. Fin Thickness : 19.52 mm



Fin Bracket



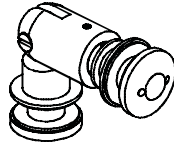
Ordering Code : **XL - C 6040**
Reference Code : 9140014
Finish : NiCr Plated
Material : MS/NiCr
Max. Fin Thickness : 19.52 mm



**Cut-out Details
for
Brackets**

Canopy Fittings

Single Point Canopy System to Glass



Canopy System to Glass / Glass without Rod

Ordering Code : **XL - C 9143**

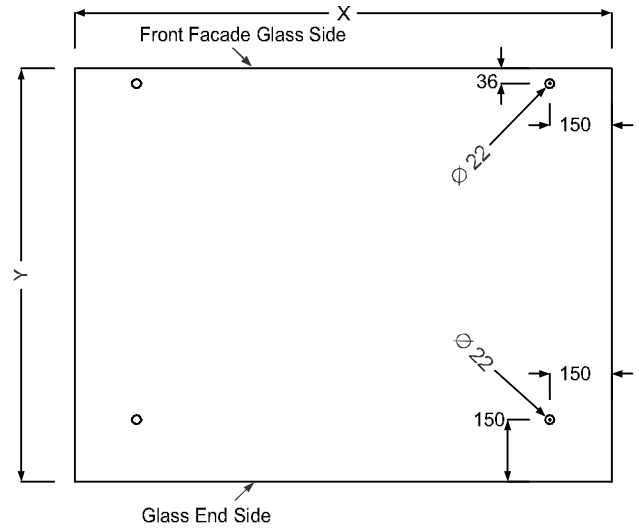
Reference Code : 9140062

Canopy Glass : 13.52 mm

Thickness

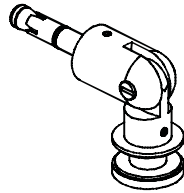
Maximum Glass : 1400 x 1400 mm

Panel Size



Note : Also check the glass preparation with site condition before ordering the glass

Single Point Canopy System to Wall



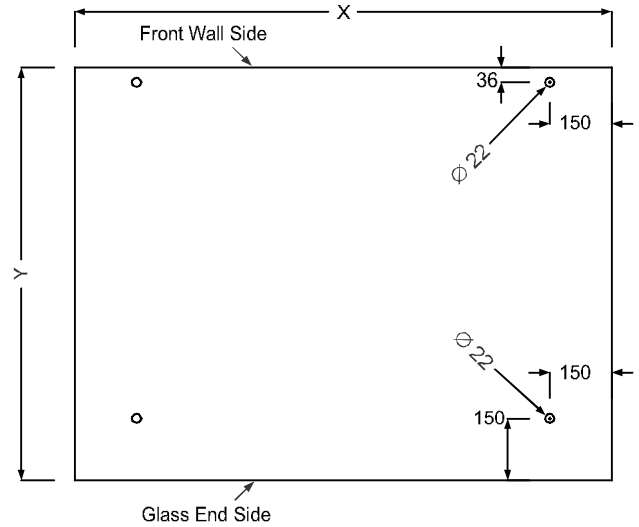
Single Point Canopy System - Glass / Wall Fixing

Ordering Code : **XL - C 9144**

Reference Code : 9140063

Canopy Glass : 13.52 mm

Thickness



Note : Also check the glass preparation with site condition before ordering the glass

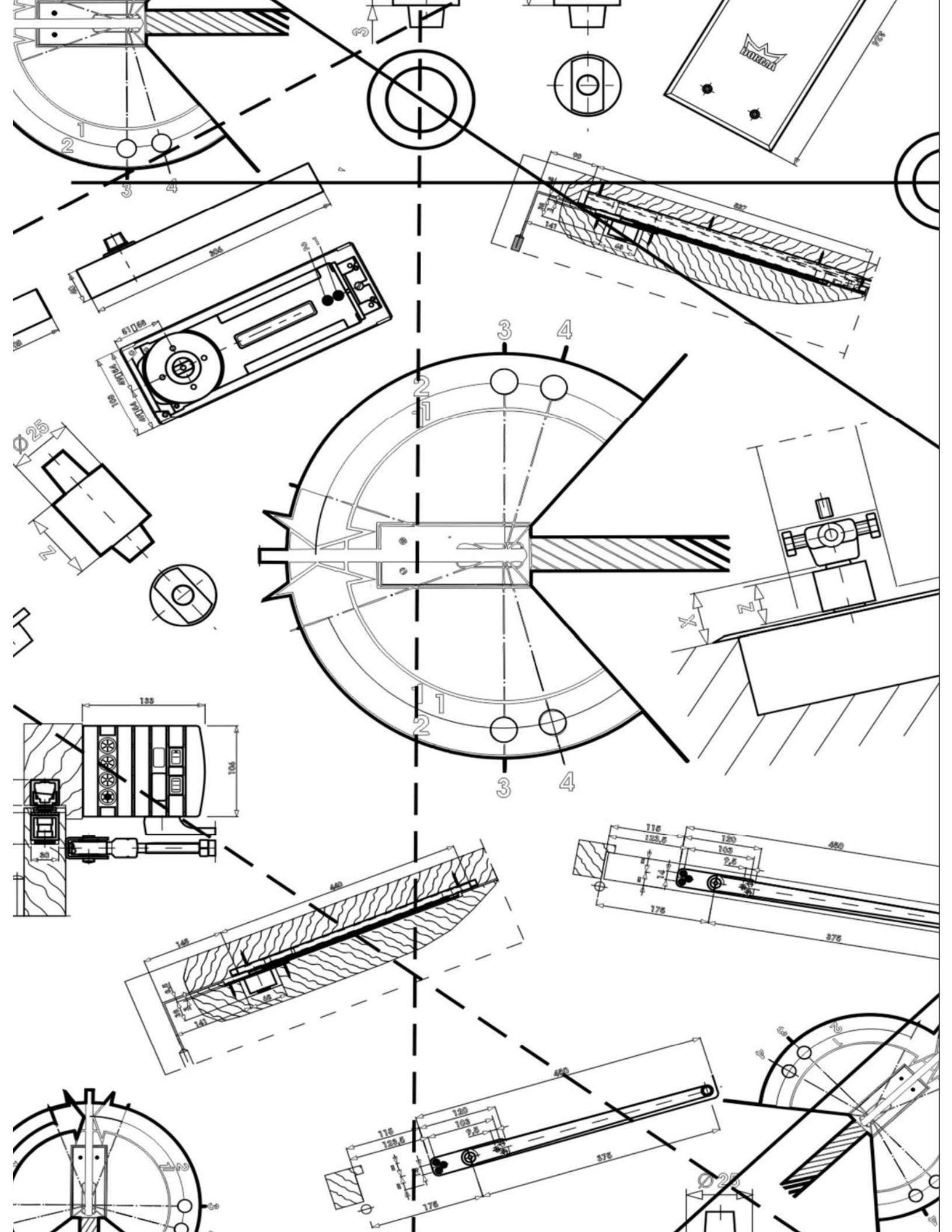
**Cut-out Details
for
Canopy Fittings**

NOTES

A series of horizontal dotted lines for writing notes.

NOTES

A series of horizontal dotted lines for writing notes.



DORMA PRO 

Your Professional Channel Store

DI - 9170202 - 11/2018